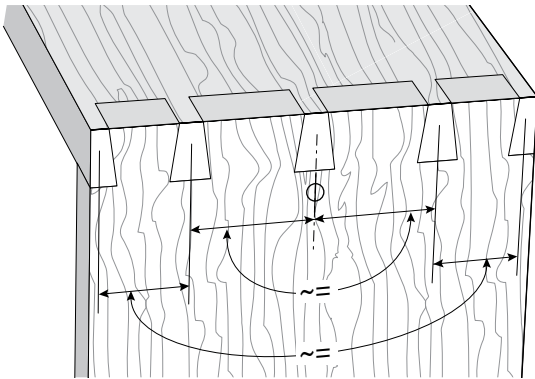
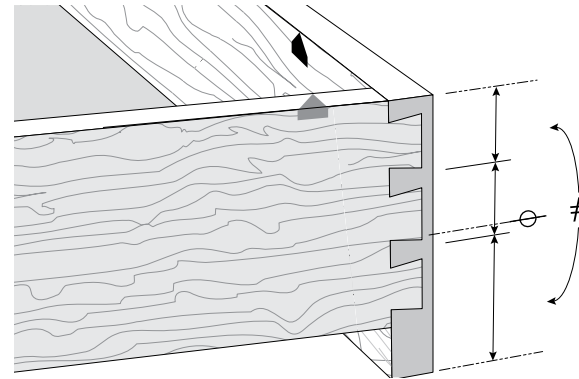


Asymmetric Dovetails

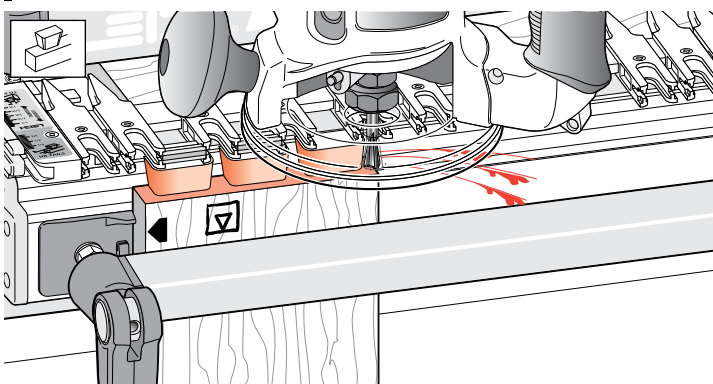
For certain procedures, you will need to use both ends of the Leigh Superjig Jig. Asymmetrical joint layouts are one example. On the Superjig, no joints will be truly symmetrical, but they can **look** symmetrical. Apparent symmetry is desirable for aesthetic reasons, but is not required for strength. Be sure you have read and understood chapters 8 through 10 before attempting these procedures.



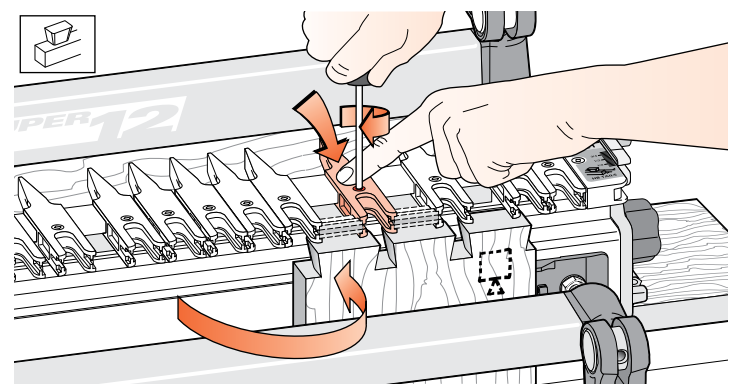
12-1 By *symmetrical* we mean a joint that looks or is approximately symmetrical about its center line but is probably not, and need not be precisely symmetrical. Using the Leigh jig, it is easy to cut a joint that looks symmetrical; the pins will always align perfectly with the tails cut at the same spacing. Remember, symmetry is only required for appearance, not for joinery reasons.



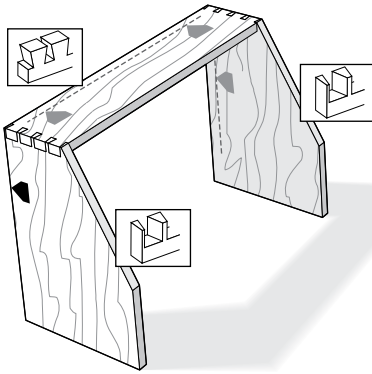
12-2 An *asymmetrical* joint has a deliberately uneven layout of pins and tails desired for a project design; for example, this drop-front drawer. The half-pin at the bottom of the drawer is much wider than the top half-pin. As the top edges of the front and sides are flush, it makes sense to use these edges against the side stops at each end of the jig. Here's how.



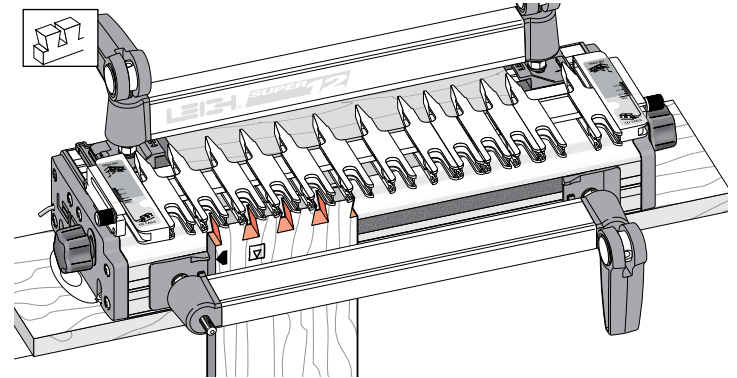
12-3 Mount the right-hand drawer sides and pins on the left end of the jig for routing, and...



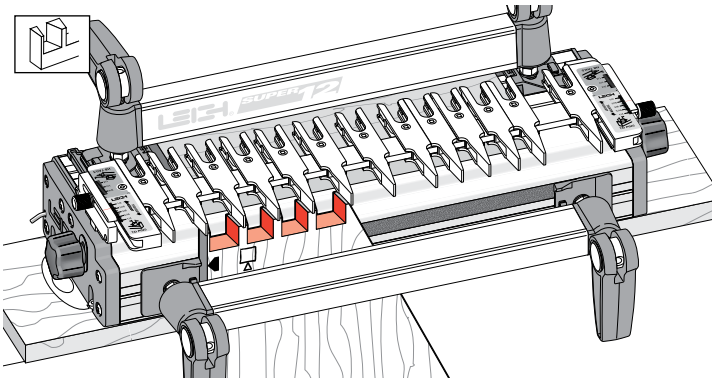
12-4 Turn one tailboard (like turning a page in a book) to the right end of the jig. Now lay out the fingers at the right end to match the sockets already routed. Now simply rout the left front corner (tails and pins) on the right side of the jig.



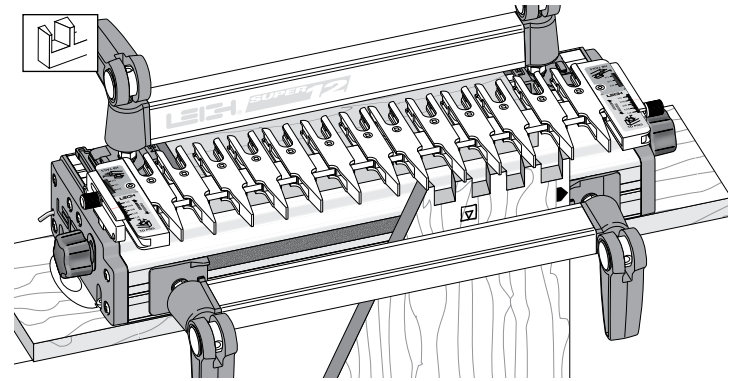
12-5 Another example of asymmetry is the top corners of a slant-front desk. The joints themselves may be symmetrical, but they must be routed on opposite ends of the jig because the sloped front edges will not register accurately against the fixed vertical side stops.



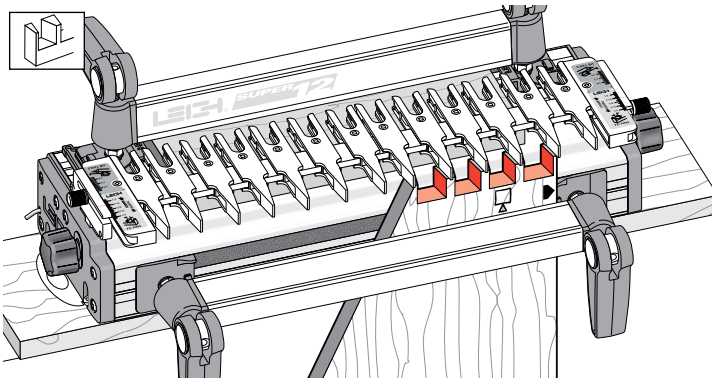
12-6 At the back of the desk both sides and top are flush, so the rear edges are set against the side stops. Place the left end of the top tail board against the left side stop ◀. Rout the tails.



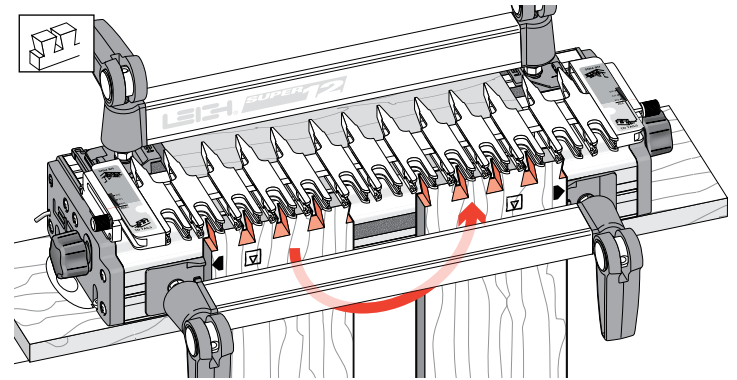
12-7 The left side of the desk goes against the left side stop ◀. Rout the pins.



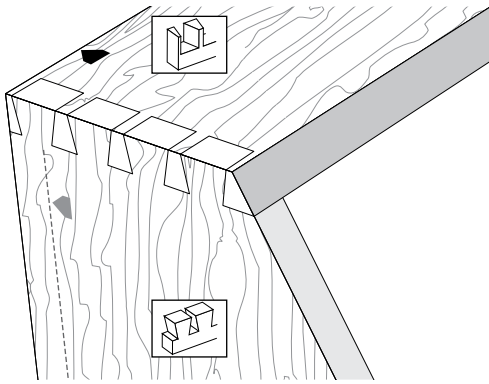
12-8 To lay out the joint at the right end of the jig, turn the left hand pin board (like a book page) against the right side stop. Lay out the fingers over the pins you just cut.



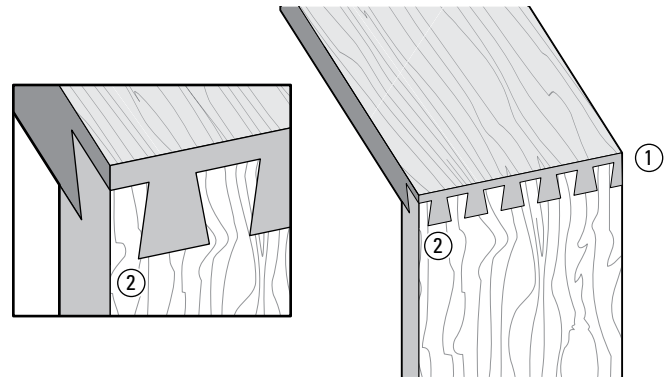
12-9 Place the right side of desk against the right side stop ▶. Rout the pins.



12-10 Rotate the finger assembly to TD Tails mode. Clamp the tailboard in the left side of the jig and rout the tails. Then rotate the board and clamp against the right side stop to rout the tails in the other end.

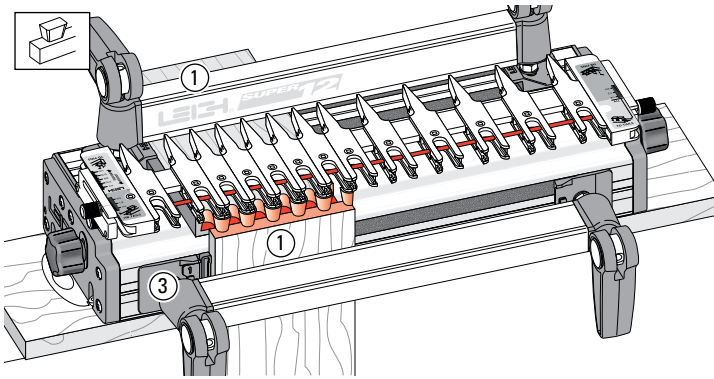


12-11 Note: If, in the slant-front desk example, the pins were in the desk top and the tails in the sides, then all the parts would be routed in the opposite ends of the jig to those shown in the previous steps.

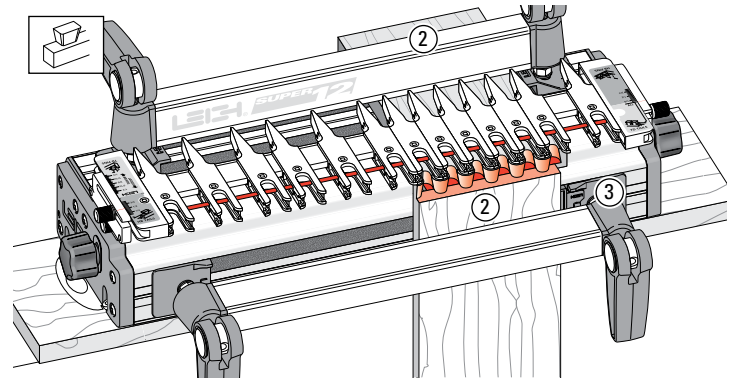


12-12 Asymmetric "Single Pass" Dovetails

Single pass dovetails become asymmetrical when a board width falls **between** joint pitch dimensions on the board width chart, page 40. Joint side edges will have a proper half pin on one side ① and an unattractive half-tail on the other ②. It is preferable to design drawer openings to suit the board width chart dimensions.



12-13 However, if this is not an option, the unattractive edge can be hidden from view at the bottom of drawers. Simply rout the right front and left rear drawer corners on the left side of the jig ①, and then...



12-14 ...the left front and right rear drawer corners on the right side of the jig ②. The Spacer is used to offset the drawer sides at both ends of the jig ③. ■

