

D4R Pro - Appendix III

Jig Parts

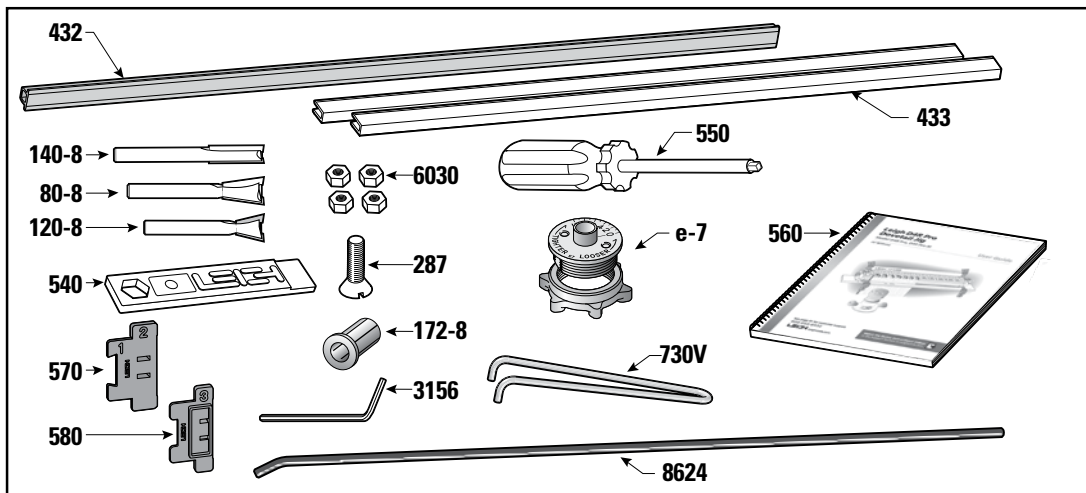
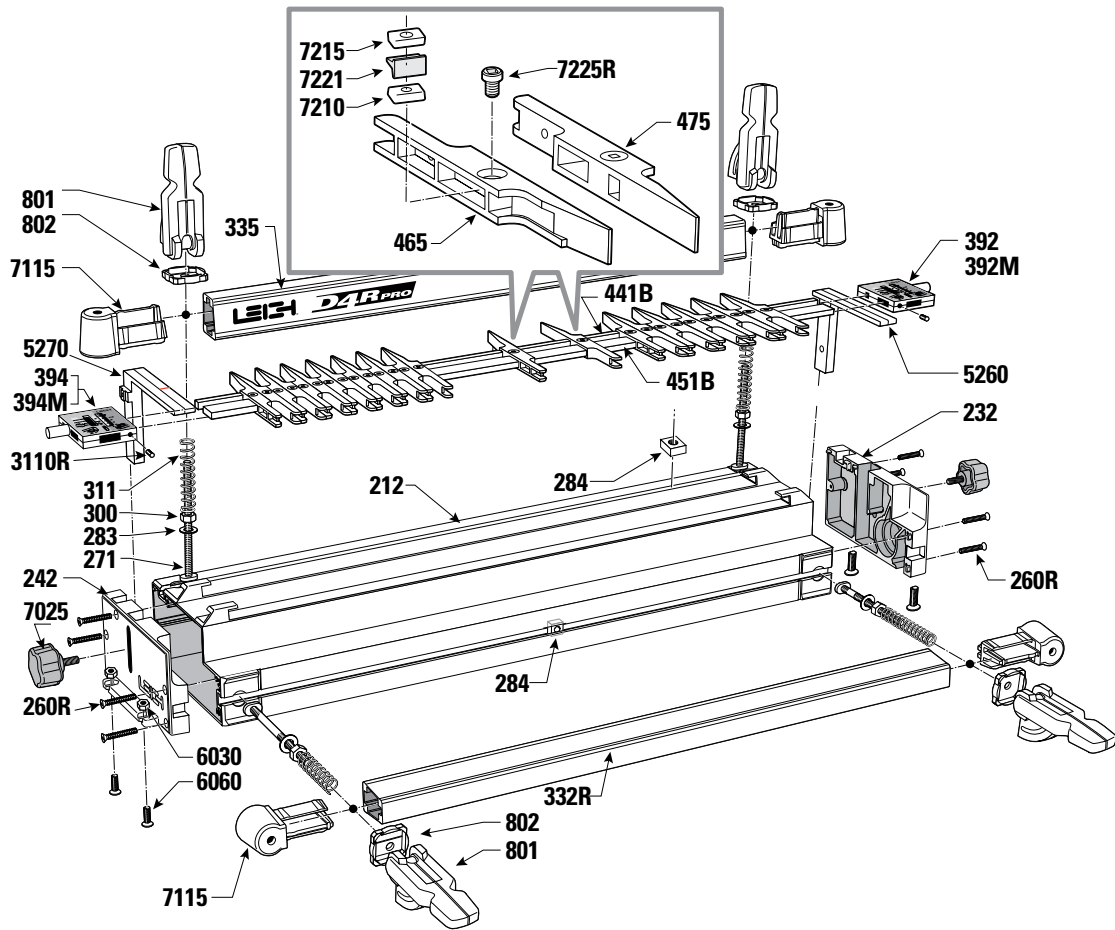
See parts list and drawing on the following pages.

Order parts directly from Leigh by calling toll-free 800-663-8932 — but first have your jig information ready. Please quote the jig model, serial number, part number, part description and quantity required.

How to Order Parts

Order directly from Leigh by calling toll free 800-663-8932 — but first have your jig information ready. You'll need the jig model, serial number, part number, part description and quantity required. **Note:** Place the finger assembly in half-blind mode to determine left hand and right hand scales.

PART DESCRIPTION	PART No.	QUANTITY
User Guide D4R Pro, English–Inch/Metric	560	1
1/2" [12,7mm] 8° Dovetail Bit, 8mm Shank	80-8	1
1/2" [12,7mm] 14° Dovetail Bit, 8mm Shank	120-8	1
5/16" [7,9mm] Straight Bit, 8mm Shank	140-8	1
1/2" [12,7mm] to 8mm Collet Reducer	172-8	1
Body Extrusion	212	1
R.H. End Housing	232	1
L.H. End Housing	242	1
8 x 1-1/2" End Housing Screws	260R	8
5/16"-18 x 4-1/4" Clamp Bar T-Bolts	271	4
Flat Washers for Clamp Bolts	283	4
1/4"-20 Square Nuts (Accessory Attachment)	284	2
1/4"-20 x 3/4" FH Machine Screw (Accessory Attachment)	287	1
5/16"-18 Clamp Bar Hex Bolt Nuts	300	4
Clamp Bar Springs	311	4
Front Clamp Bar (complete with End Plugs 7115)	332R	1
Rear Clamp Bar (complete with End Plugs 7115 and Leigh Decal)	335	1
R.H. Inch Scale Assembly, Complete (R.H. in H.B. Tail Mode)	392	1
or R.H. Metric Scale Assembly, Complete (R.H. in H.B. Tail Mode)	392M	1
L.H. Inch Scale Assembly, Complete (L.H. in H.B. Tail Mode)	394	1
or L.H. Metric Scale Assembly, Complete (L.H. in H.B. Tail Mode)	394M	1
Sliding Dovetail Fence (Cross Cut Fence)	432	1
Plastic Bridge Piece Extrusions	433	2
H.B. Pin Guide Rail, 1/4" x 1/4"	441B	1
Finger Guide Rail, 1/4" x 3/4"	451B	1
R.H. Fingers (complete with Wedges, Nuts, Washers and Screws)	465	13
L.H. Fingers (complete with Wedges, Nuts, Washers and Screws)	475	13
Finger Wedges	7221	26
8-32 Threaded Finger Nuts	7210	26
Finger Washers	7215	26
8-32 x 0.259" PH Machine Screws (Finger Lock)	7225R	26
Leigh Assembly Wrench/Gauge	540	1
Leigh Finger Adjusting, No.2 Robertson Screwdriver	550	1
R.H. Support Bracket	5260	1
L.H. Support Bracket	5270	1
Cam-Action Speed Clamps (complete with Step Washers 802)	801	4
Cam-Action Speed Clamp Step Washers	802	4
8-32 x 1/2" Hex Socket, Flat Point Set Screws (Scale Lock)	3110R	2
5/64" Hex Key (2mm may also work)	3156	1
1/4"-20 Hex Nuts (Jig Hold-Down)	6030	4
1/4"-20 x 1" FH Machine Screws (Jig Hold-Down)	6060	4
Support Bracket Knobs	7025	2
Clamp Bar End Plug	7115	4
e7 eBush (Guide Bushing) and Nut	e7-Bush	1
Pin Wrench	730V	1
Nylon Stop Rod	8624	1
D4R Pro Dovetail Spacer	570	1
D4R Pro Box Joint Spacer	580	1



This page is left blank intentionally.