

# Leigh VRS Vacuum & Router Support

Patents: USA No.7,507,060 UK No.GB2446909 Canada No.2,611,233

## Instructions for Installation & Use

**VRSD24** fits all D4R Pro, D4R, D4 and 24" D3, D1258R and D1258 Jigs

**VRS24** fits the Super24 Jig

**VRS18** fits the Super18 Jig

**VRS12** fits the Super12 Jig

**VRS16** fits the D1600 Jig

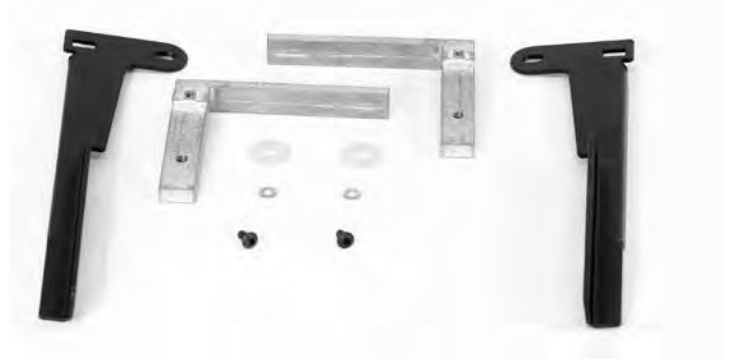


### WHAT'S IN THE BOX:



#### 1. All VRS models include:

1. One extruded aluminum body and ABS collector
  2. One pair of router follower rails
  3. One large hose adaptor
  4. One small hose adaptor
  5. One hex key
- Plus, parts in figures 2, 3, or 4 depending on your model.



#### 2. VRSD24 for D4R Pro, D4R, D4, D3, D1258R & D1258 Jigs

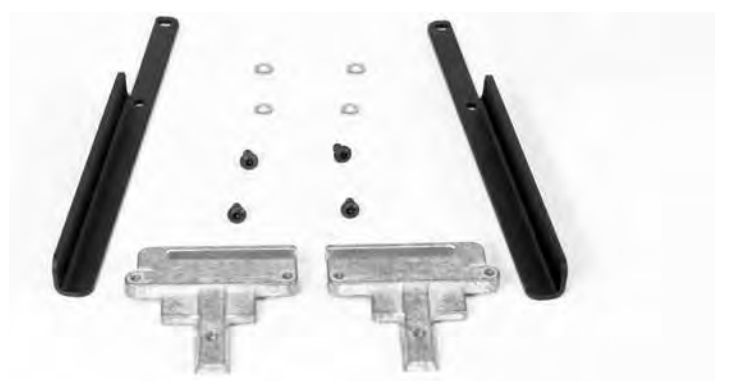
1. One pair short finger assembly support brackets
2. One pair of steel VRS brackets
3. Two mounting screws and washers
4. Two nylon washers

*Note: The short support brackets can be used for all dovetailing, finger joint and Isoloc joint template routing.*



#### 3. VRS12, VRS18, VRS24 for Super12, Super18, Super24 Jigs

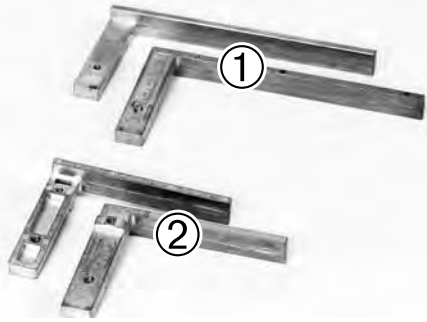
1. One pair of steel VRS brackets
2. Four mounting screws and washers



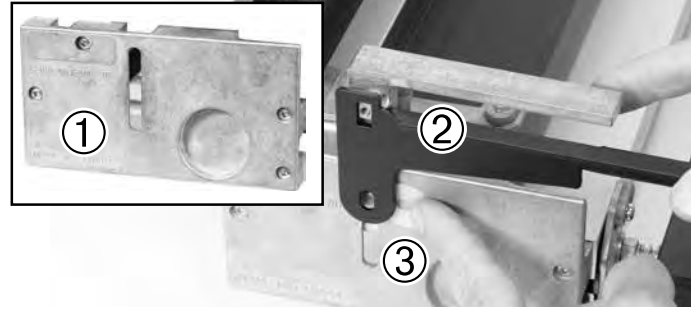
#### 4. VRS16 for the D1600 Jig

1. One pair of modified finger assembly support brackets
2. One pair of steel VRS brackets
3. Four mounting screws and washers

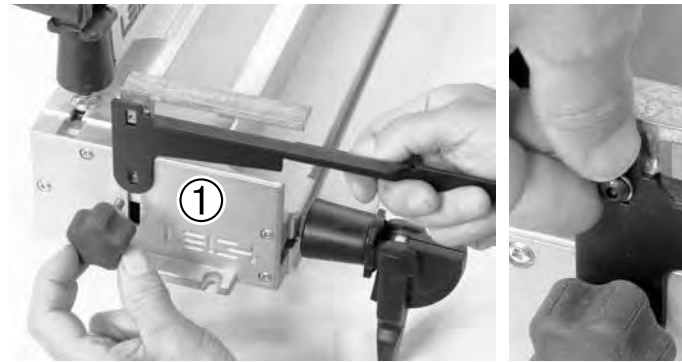
## VRS Installation for 24" D-Series Jigs



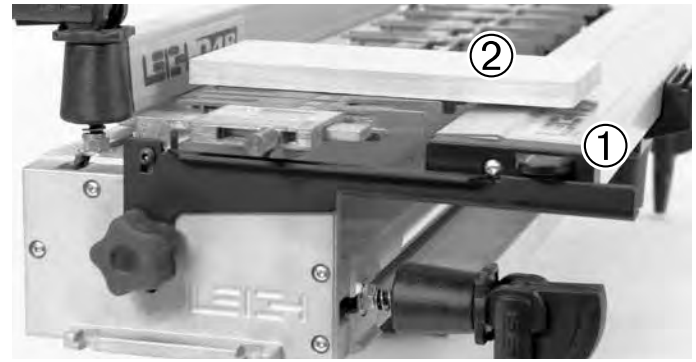
**5. D4R Pro, D4R, D4 and 24" D3, D1258R & D1258 Owners:** With the exception of the D4R Pro, first, remove the long support brackets ① from your jig (or short brackets from your D1258/R, not shown). Then, install the “new” short brackets ② included with the VRSD24. **D4R Pro Jig Owners:** The new brackets are identical to those supplied with your jig. Keep as spares.



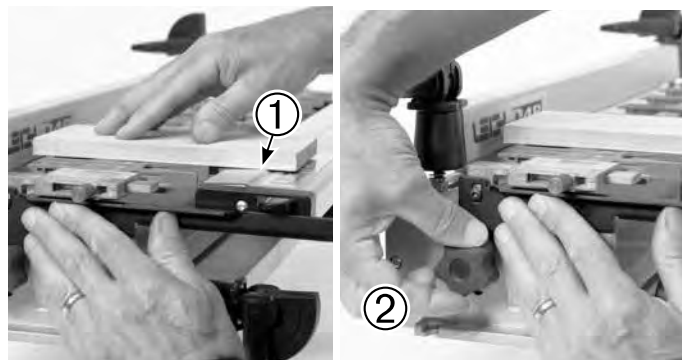
**6.** If the end housings of your jig look like this ①, then before attaching the steel brackets ②, slide one of the new nylon washers between the end housing and the steel bracket ③ as you thread in the bracket knob.



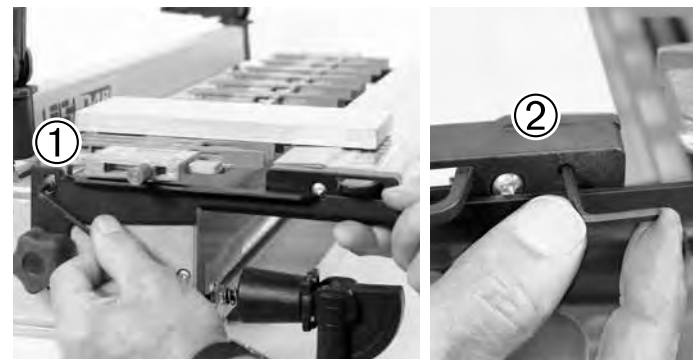
**7.** If the end housings look like this ①, it's a D4R Pro, D4R or late model D4 jig, and the nylon washers **should not be used**. Install the two 10-24 button head screws and washers finger tight only.



**8.** With the jig finger assembly mounted and lowered onto its support board; install the VRS onto the steel brackets ①. Lay a piece of flat board on the finger assembly and extending out over the top of the VRS extrusion ②.



**9.** Loosen the support bracket knobs and while holding the board down flush on the finger assembly, raise one steel bracket until the “peak” ① on top of the VRS extrusion touches the underside of the board. Now tighten the knob at that end ②. Repeat at other end. Double check and readjust both ends as needed until the finger assembly is level with the VRS extrusion “peak” ①.



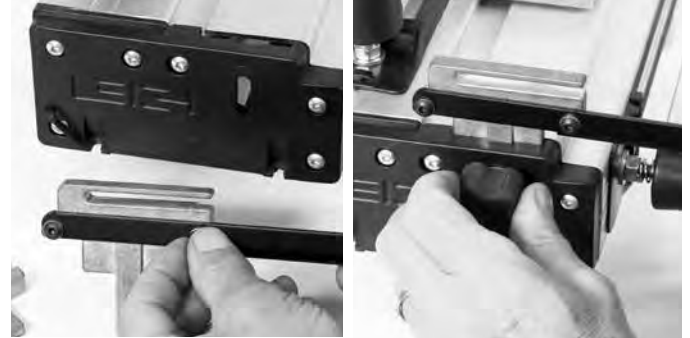
**10.** Now firmly tighten the two button head screws ①. The hex key stows in the right hand end of the VRS ②. **After installation, when raising and lowering the combined VRS & finger assembly, always take the weight at the inner end of the brackets ③, not at the VRS ends.** *Note: The VRS height may need to be reset when using Isoloc or Finger Joint Templates.*

## VRS Installation for Super Jigs & D1600 Jig



**11. D1600 Owners:** First, remove the existing cast support brackets ①. You will be using the new type ② that came with your VRS16.

Super Jigs already have this new type of bracket ②.



**12.** Attach the pair of steel VRS support brackets to the cast finger support brackets (with the horizontal surfaces inwards) using the four 10-24 button head screws and washers, **but just finger tighten only.**

Fit the assembled brackets to both ends of the jig.



**13.** Mount the finger assembly and lower it onto its support board. Install the VRS onto the steel brackets and lay a flat board on the finger assembly, extending out over the top of the VRS extrusion.



**14.** Raise one steel bracket until the top of the extrusion touches the underside of the board ① then tighten the rear screw at that end with the provided hex key ②.

Repeat at the other end. **Double check and re-adjust both ends as necessary until the two top surfaces are level.**



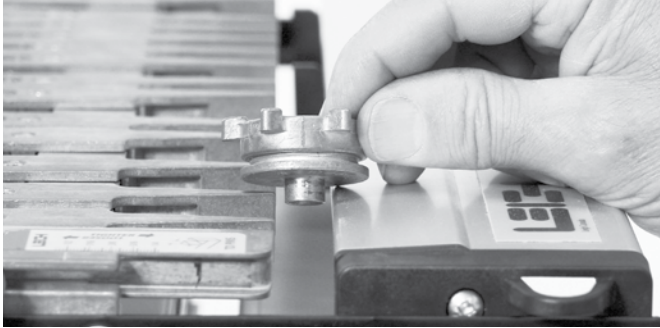
**15.** Now firmly tighten the other two button head screws ①. The hex key stows in the right hand end of the VRS.

## Using the VRS

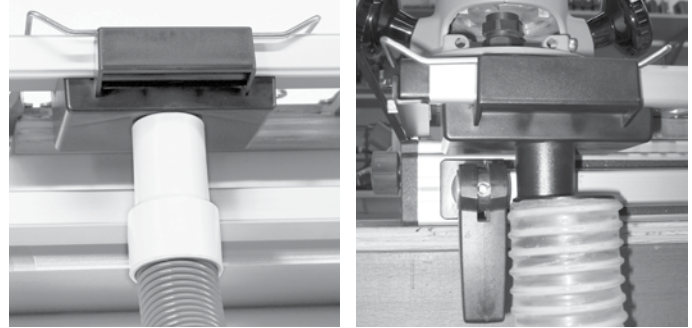


**16.** Install the two router follower rails by placing the wire ends into the selected holes as far as possible; then using thumb and index finger, squeeze and “snap” the arm down into the end of the slot. Position the wire brackets to allow routing of the work piece outer edges. Efficient waste collection does not require centering the router bit in the collector.

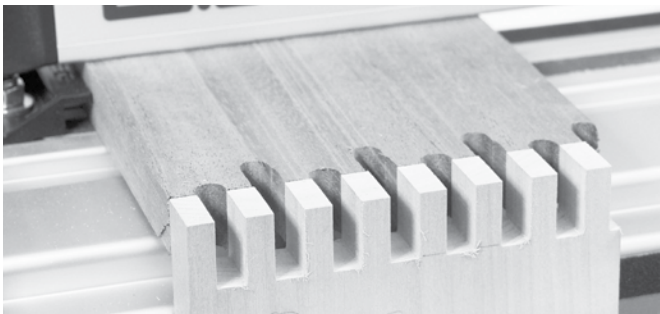
## Using the VRS cont.



**17.** Adjust the VRS forward position to allow a gap between the extrusion and tips of the jig guide fingers (or template) that is greater than the guide bushing diameter used.



**18.** Attach the shop vacuum hose direct to the collector nozzle or use one of the two hose adaptors supplied. Keeping the front clamps vertical and turning the large hose adaptor away from the clamp allows full router travel.



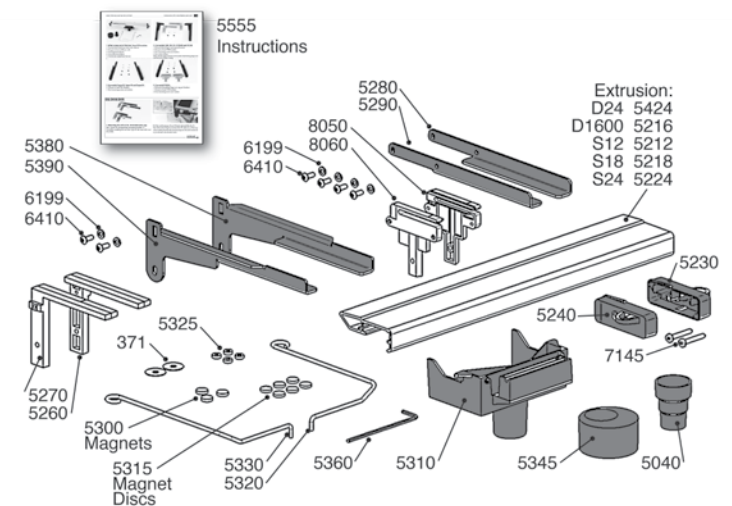
**19.** For maximum efficiency, always back-up vertically mounted workpieces with a backer board. This not only prevents chips and dust exiting the rear of the board, it also aids in preventing tear out from the rear of the workpiece.



**20. Safety** The VRS provides highly efficient dust and chip pick-up but like all shop dust collection systems, it cannot be 100% efficient. So to further protect your health, **please use an approved breathing mask.** Remember eye and ear protection.

**VRS PARTS LIST** Ordering: quote Jig-VRS model, part #, description, quantity

Part #	Quant	Part Description
5216	1	VRS Extrusion for the VRS16
5212	1	VRS Extrusion for the VRS12
5218	1	VRS Extrusion for the VRS18
5224	1	VRS Extrusion for the VRS24
5424	1	VRS Extrusion for the VRS D24
ALL MODELS		
5230	1	VRS RH End Cap c/w magnet, keeper discs & screw
5240	1	VRS LH End Cap c/w magnet, keeper discs & screw
7145	2	End Cap Screw - 10 x 1 1/4" (self tapping)
5300	3	Rare Earth Magnets
5310	1	Collector
5315	6	Magnet Keeper Discs
5325	4	Nylon Collector Rollers
5320	1	RH Router Follower Rail
5330	1	LH Router Follower Rail
5040	1	Small Hose Adaptor
5345	1	Large Hose Adaptor
5360	1	Hex Key 1/8"
5555	1	Instruction/parts sheet
D SERIES JIGS		
371	2	Support Bracket Knob, Nylon Washer
5260	1	Jig Support Bracket RH
5270	1	Jig Support Bracket LH
5380	1	VRS Steel Bracket RH (Black)
5390	1	VRS Steel Bracket LH (Black)
6199	2	VRS Bracket Washers #10
6410	2	VRS Bracket Screws 10-24 x 3/8" Hex-Soc Button Hd
SUPERJIG and D1600		
5280	1	VRS Steel Bracket RH (black)
5290	1	VRS Steel Bracket LH (black)
6199	4	VRS Bracket Washers #10
6410	4	VRS Bracket Screws 10-24 x 3/8" Hex-Soc Button Hd
8050	1	Jig Support Bracket RH
8060	1	Jig Support Bracket LH



800-663-8932 (Canada/USA)  
leightools.com

© 2007 Leigh Industries Ltd. All rights reserved. No part of this publication may be reproduced, stored in a retrieval system, or transmitted in any form or by any means, electronic, mechanical, recording, or otherwise, without the prior written permission of Leigh Industries Ltd. E&OE (Errors and Omissions Excepted) 10/2020

Printed in Canada

**LEIGH**  
Leigh Woodworking Tools®