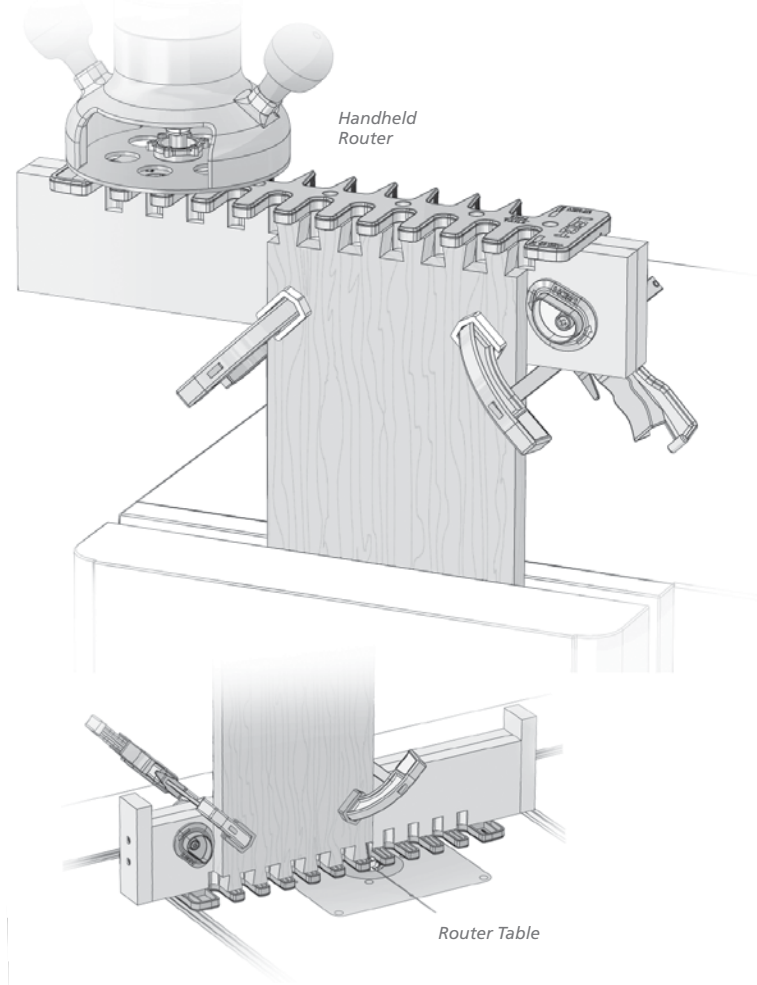


Leigh Through Dovetail Jig

Model TD330

User Guide

For Handheld Router or Router Table Use



See page 81 for customer support

800-663-8932

LEIGH Leightools.com

Watch the Online Instructional Videos
in the Support Section at leightools.com



Contents

Chapter 1	Introduction	5
	What's Included	5
	Jig Diagram	6
	Units of Measure	7
	Bit Specifications	7
	Clamping	8
	Marking the Boards	8
Chapter 2	Safety	9
Chapter 3	The Leigh eBush	13
Chapter 4	Mounting & Assembly	19
Chapter 5	Through Dovetails with a Handheld Router	31
	Clamping Narrow Boards	53
Chapter 6	Through Dovetails on a Router Table	57
	Clamping Narrow Boards	78
Chapter 7	Guide Bushing Adaptor Selection	79
Chapter 8	Customer Support	81

Instructional Videos Available at leightools.com

Click on the Support tab and go to the Instructional Videos and User Guide page.

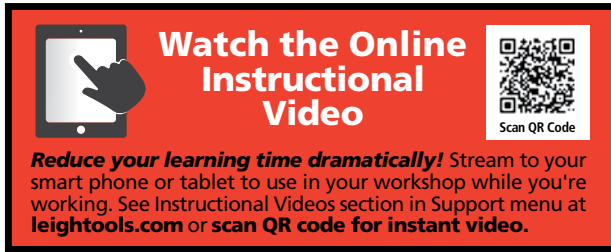
Your New Leigh Through Dovetail Jig, Model TD330

The Leigh Through Dovetail Jig, Model TD330, is a simple, easy to use tool for making through dovetails on boards up to 13/16" [21mm] thick, and from 1-1/4" [32mm] to 12-7/8" [327mm] wide.

Customer Support

If you have any questions that are not answered in this user guide, please call Leigh Customer Support: 1-800-663-8932 in North America or email: help@leightools.com. For support contacts in your country of purchase, see Customer Support at the end of this Guide.

Reminder: If at first you don't succeed, read the instructions!



Watch the Online Instructional Video

Reduce your learning time dramatically! Stream to your smart phone or tablet to use in your workshop while you're working. See Instructional Videos section in Support menu at leightools.com or scan QR code for instant video.

Watching the online video in addition to reading this user guide will reduce your learning time dramatically. The video can be streamed to your smart phone or tablet and used in your shop as a visual reference. Visit leightools.com and find the video in the Support section.

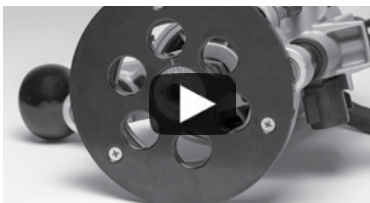
Watch these Videos Online



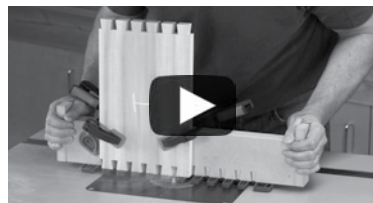
Introduction Video



Through Dovetails with a Handheld Router Video



Router Requirements Video



Through Dovetails on a Router Table Video



Router Table Requirements Video