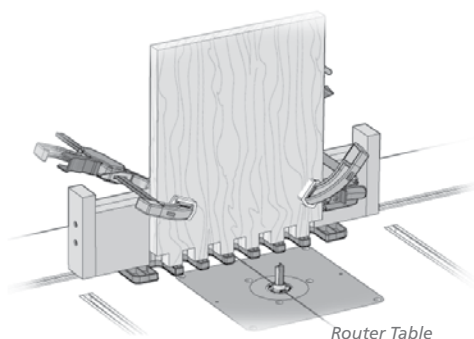
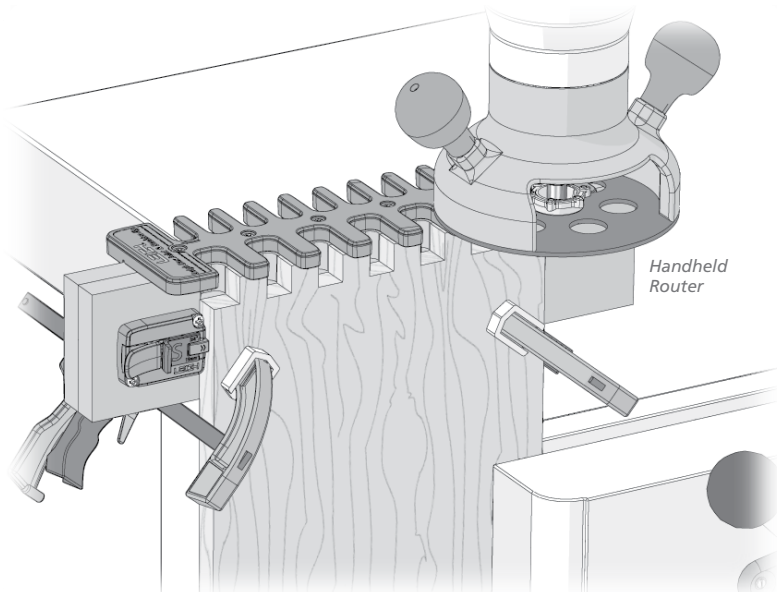


Leigh Box Joint & Beehive Jig

Model B975

User Guide

For Handheld Router or Router Table Use



See page 65 for
customer support

800-663-8932

LEIGH
Leightools.com

Watch the Online Instructional Videos
in the Support Section at Leightools.com



Contents

Chapter 1	Introduction	5
	Jig Parts	5
	Bit Specifications	7
	Symbols for Board Position	8
	Clamping	8
Chapter 2	Safety	9
Chapter 3	The Leigh e10 eBush	11
Chapter 4	Mounting & Assembly	15
Chapter 5	Box Joints with a Handheld Router	25
Chapter 6	Box Joints on Wider Boards	37
Chapter 7	Box Joints on a Router Table	47
Chapter 8	Guide Bushing Adapter Selection	63
Chapter 9	Customer Support	65

Watch the Online Instructional Videos at Leightools.com
Dramatically reduce your learning time! Click on the Support
 tab and go to the Instructional Videos and User Guides page.



Your New Leigh Box Joint & Beehive Jig, Model B975

The Leigh Box Joint & Beehive Jig, Model B975, is a simple, easy-to-use tool for making 1/2" and 3/4" box joints on boards up to 13/16" [20.6mm] thick, and from 1-1/2" [38mm] to 17-13/16" [453mm] wide. Not by accident, the full 9-11/16" [246mm] width of the jig is the standard height of a typical beehive super, used in North America.

Customer Support

If you have any questions that are not answered in this user guide, please call Leigh Customer Support: 1-800-663-8932 in North America or email: help@leightools.com. For support contacts in your country of purchase, see Customer Support at the end of this Guide. Leigh user guides are updated as required. A downloadable pdf of the latest version can be found on the Support page at leightools.com.

Reminder: If at first you don't succeed, read the instructions!

Register your Leigh B975

Here's Why!

- Be the first to learn new ways to use your jig
- Learn about updates to your jig
- Save \$\$ with Special Offers
- Find out about new product launches
- Industry leading 5 year warranty

Register Now – It's Easy



Go to leightools.com
Click on Support
Click on Register your Product Online

PRIVACY POLICY

Leigh will NEVER rent, sell or distribute your information.

5 Year Warranty

Leigh stands behind its products with a 5 year limited warranty, the best in the business. See the complete warranty in Chapter 9, Customer Support.



Satisfaction Guarantee

Products purchased directly from Leigh carry a 90-day Customer Satisfaction Guarantee. Those purchased from an authorized Leigh dealer may also carry a Customer Satisfaction Guarantee; see your Leigh dealer for details. Proof of purchase is required.



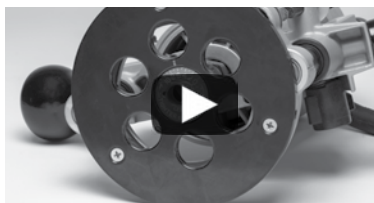
Handheld Router and Router Table Requirements

Watch the Online Instructional Videos at Leightools.com

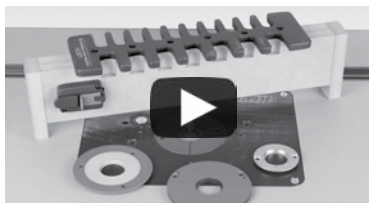
Click on the Support tab and go to the Instructional Videos and User Guides page.



Watching the online chapter videos and others in addition to reading this user guide will reduce your learning time dramatically. The video can be streamed to your smart phone or tablet and used in your shop as a visual reference. Visit leightools.com and find the video in the Support section, on the Instructional Videos and User Guides page.



**Router
Requirements Video**



**Router Table
Requirements Video**