

**SUPERJIG - Appendix III****Jig Parts**

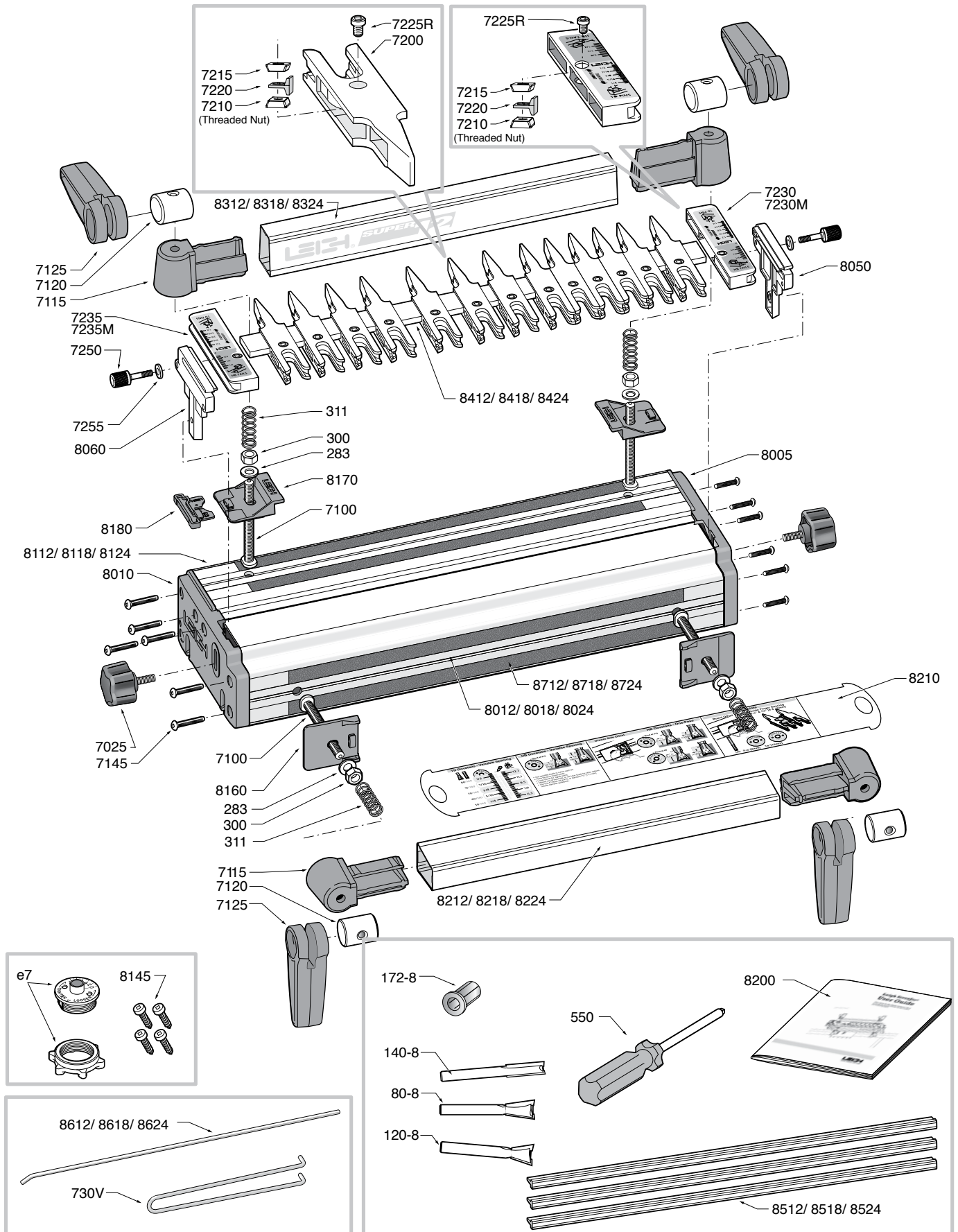
***See parts list and drawing on the following pages.***

*When ordering parts, please quote the jig model, serial number, part number, part description and quantity required. Pay particular attention to the scale measurement, and let us know if yours is inch or metric.*

## How to Order Parts

Order directly from Leigh by calling toll free 800-663-8932, or if you're outside North America contact your national distributor. Have your jig information ready — You'll need the jig model, serial number, part number, part description and quantity required. **Note:** Place the finger assembly in half-blind mode to determine left hand and right hand scales.

PART DESCRIPTION	QUANTITY	PART NO.	SUPER 12	SUPER 18	SUPER 24
Super Jig Front Body Extrusion	1		8012	8018	8024
Super Jig Rear Body Extrusion	1		8112	8118	8124
Guide Fingers	see model	7200	Quantity 13	Quantity 16	Quantity 19
Guide Finger Nuts (Threaded)	see model	7210	Quantity 15	Quantity 18	Quantity 21
Guide Finger Washers	see model	7215	Quantity 15	Quantity 18	Quantity 21
Guide Finger Wedges	see model	7220	Quantity 15	Quantity 18	Quantity 21
8/32 x 6.57mm Finger Screws	see model	7225R	Quantity 15	Quantity 18	Quantity 21
R.H. Inch Scale Assembly, complete (R.H. in H.B. Tail Mode)	1	7230			
or R.H. Metric Scale Assembly, complete (R.H. in H.B. Tail Mode)	1	7230M			
L.H. Inch Scale Assembly, complete (L.H. in H.B. Tail Mode)	1	7235			
or L.H. Metric Scale Assembly, complete (L.H. in H.B. Tail Mode)	1	7235M			
SJ End Housing R.H.	1	8005			
SJ End Housing L.H.	1	8010			
SJ Support Bracket R.H.	1	8050			
SJ Support Bracket L.H.	1	8060			
Scale Block R.H. (RH in HB Tail Mode)	1	7230			
Scale Block L.H. (LH in HB Tail Mode)	1	7235			
SJ Non-Slip Self Adhesive Strips	4		8712	8718	8724
SJ Front Side Stops	2	8160			
SJ Rear Side Stops	2	8170			
SJ Spacer	1	8180			
Clamp Tube Extrusion - Front	1		8212	8218	8224
Clamp Tube Extrusion - Rear	1		8312	8318	8324
Clamp Tube End Plugs	4	7115			
Screwdriver - No. 2 Robertson Square Drive	1	550			
1" Aluminum Finger Bar	1		8412	8418	8424
Plastic Bridge Extrusions	3		8512	8518	8524
Nylon Depth Rod	1		8612	8618	8624
Support Bracket Knobs	2	7025			
Clamp Bar Springs	4	311			
Scale Thumb Screws	2	7250			
Scale Thumb Screw Washers	2	7255			
Clamp Bar T-Bolts - 5/16"-18 x 4"	4	7100			
8 x 1-1/2" End Housing Screws	12	7145			
5/16"-18 Hex Nuts	4	300			
5/16" SAE Flat Washers	4	283			
SJ Hold Down Screws #10 x 1"	4	8145			
SJ User Guide	1	8200			
SJ Instructional Pull Out	1	8210			
Cam Clamps	4	7125			
Cam Nuts 5/16"-18	4	7120			
# 80-8 8° Dovetail Bit	1	80-8			
# 140-8 5/16" Straight Bit	1	140-8			
# 120-8 1/2" Dovetail Bit	1	120-8			
1/2" to 8mm Collet Reducer	1	172-8			
e7 eBush (guide Bushing) and nut	1	e7-Bush			
Pin Wrench	1	730V			



**NOTE:** When ordering parts, please quote the jig model, serial number, part number, part description and quantity required. Pay particular attention to the scale measurement, inch or metric.

