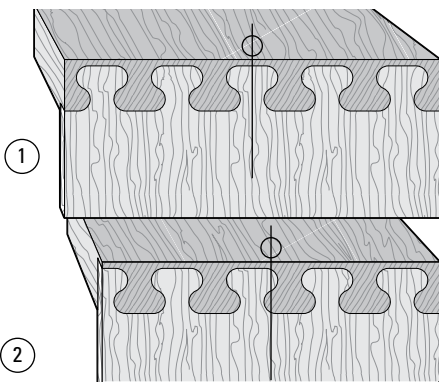


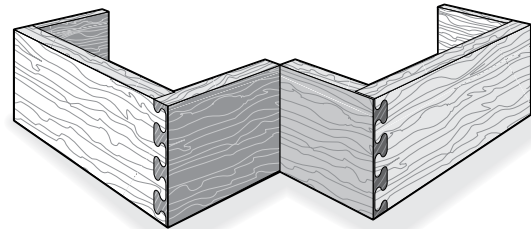
Isoloc Joint Symmetry and Asymmetry



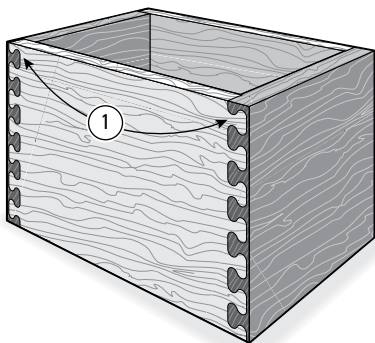
10-1 Isoloc joints are template-made joints, but they are only symmetrical if the pattern appears to be even about the board centreline.

Pattern ① is symmetrical.

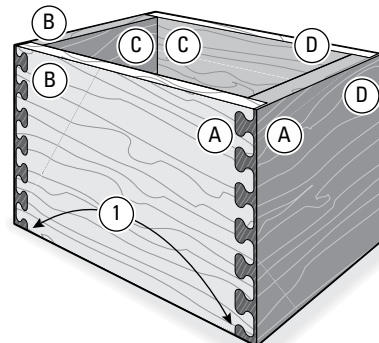
The pattern in the more narrow joint ② is asymmetrical.



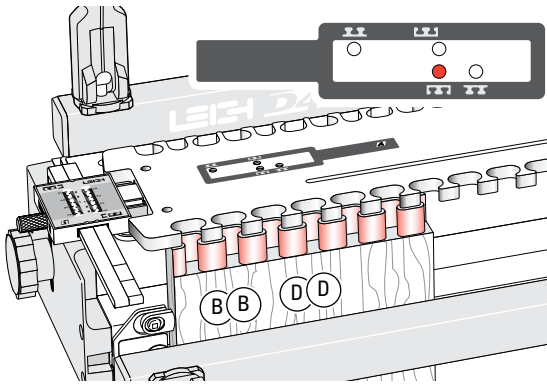
10-2 Symmetry is not critical when only one corner can be seen at one time; as in this “split” drawing of a typical drawer front and sides.



10-3 However, on this box, while it's okay to have asymmetrical joints, the corner patterns are both visible and do not mirror one another as they should ①.

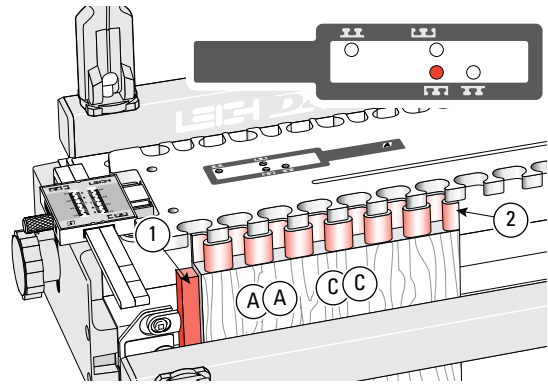


10-4 So if your joints need to be asymmetrical for dimensional reasons, here's how to mirror-image them correctly as shown here ①.

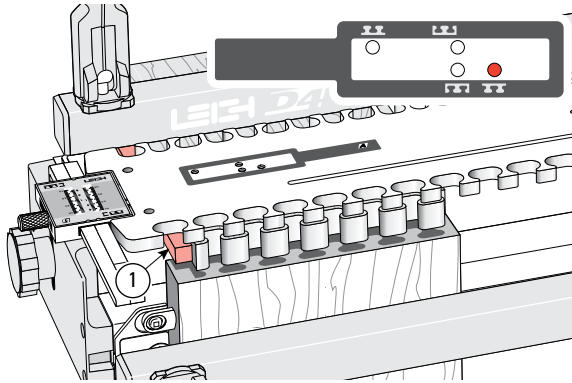


10-5 Rout pin and socket boards for corners B and D against the left hand side stops.

Illustrations 10-5 and 10-6 show pin boards only.



10-6 Rout pins for corners A and C blocked away from the left side stop ① so that the right edge finish ② mirrors the B and D left edge finish in 10-5.



10-7 Use the same block ① to space the A and C socket boards away from the rear stop.

Note: Also see 8-21, "Shadow" Joint Symmetry. ■