

Watch the Online Instructional Video

The online video will reduce your learning time dramatically! Stream to your smart phone or tablet to use in your shop as a visual reference. Find the video in the Instructional Videos section of the Support menu at leighjigs.com.

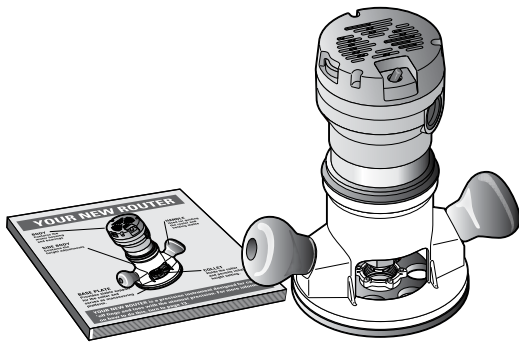


D4R Pro - CHAPTER 5

Using Your Jig Safely

Safety is not optional.

Read and follow the recommendations in this chapter.




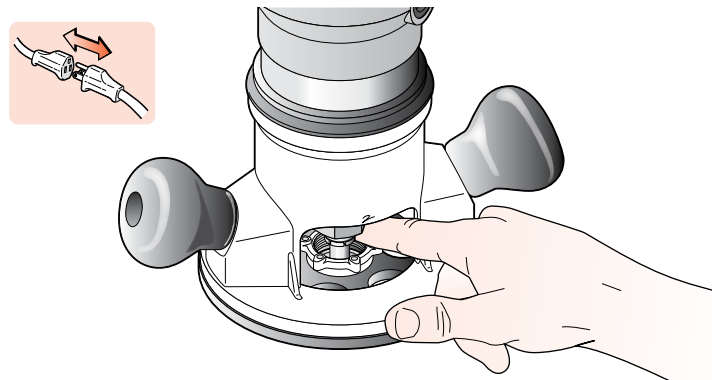
5-1 Read the owner's manual that came with your router. It is essential to understand the router manufacturer's instructions completely. Always operate variable speed routers at the fastest possible speed.



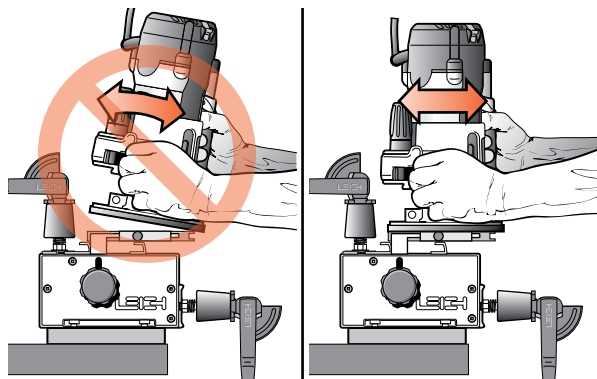
5-2 Always wear approved safety glasses. Always wear hearing protection. Protect yourself from harmful dust with a face mask. For complete dust and waste collection, add a Leigh VRS (Vacuum & Router Support) to your jig. See page vi.



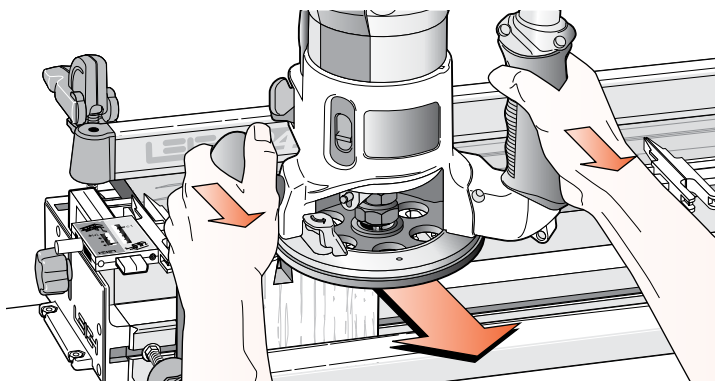
5-3  Never drink alcohol or take medications that may cause drowsiness when you will be operating a router.



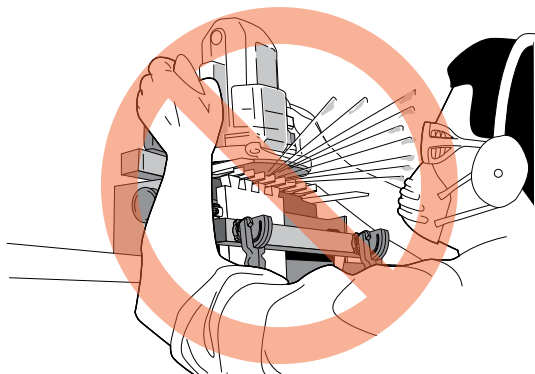
5-4 Always disconnect the power source from the router when fitting bits or guidebushes, or making adjustments. Before connecting the router to the power source, make sure the bit and collet revolve freely in all the areas you plan to rout, and the bit does not touch the guidebush or jig.



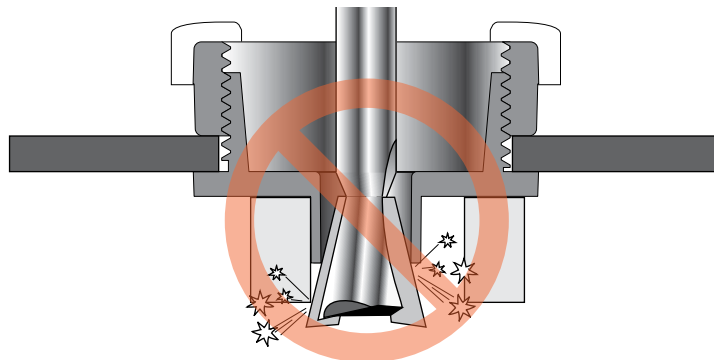
- 5-5** Do not tilt the router on the jig. Keep the router flat on the jig assembly.
Note: The optional Leigh VRS attachment prevents router tilting. See page vi.



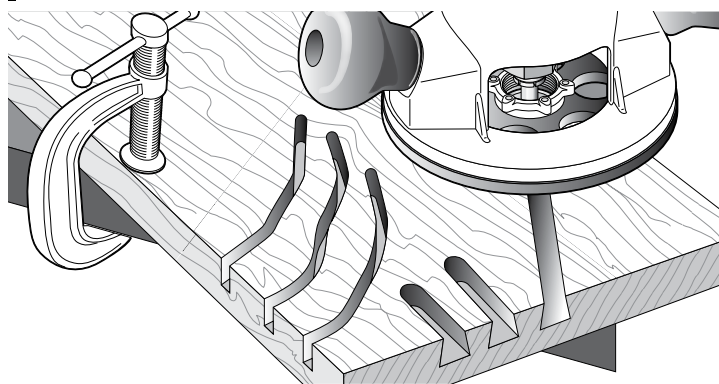
- 5-6** If you insist on removing the router from the jig while it is still revolving, **always pull it straight off the jig horizontally**, and do not raise or lower the router until it is completely clear of the jig. With the Leigh VRS fitted to your jig you can simply park your router to one side.



- 5-7** Do not rout at face level.



- 5-8** Never release the router plunge mechanism when using dovetail bits. Check if your plunge router has a stop nut to prevent this from happening accidentally.



- 5-9** If you have never used your router before, be sure to follow the router manufacturer's instructions for its use. Make plenty of simple open-face practice cuts *without a guidebush* before you try to use the router on the Leigh jig. You must, of course, always use a guidebush when routing on the Leigh Jig. ■