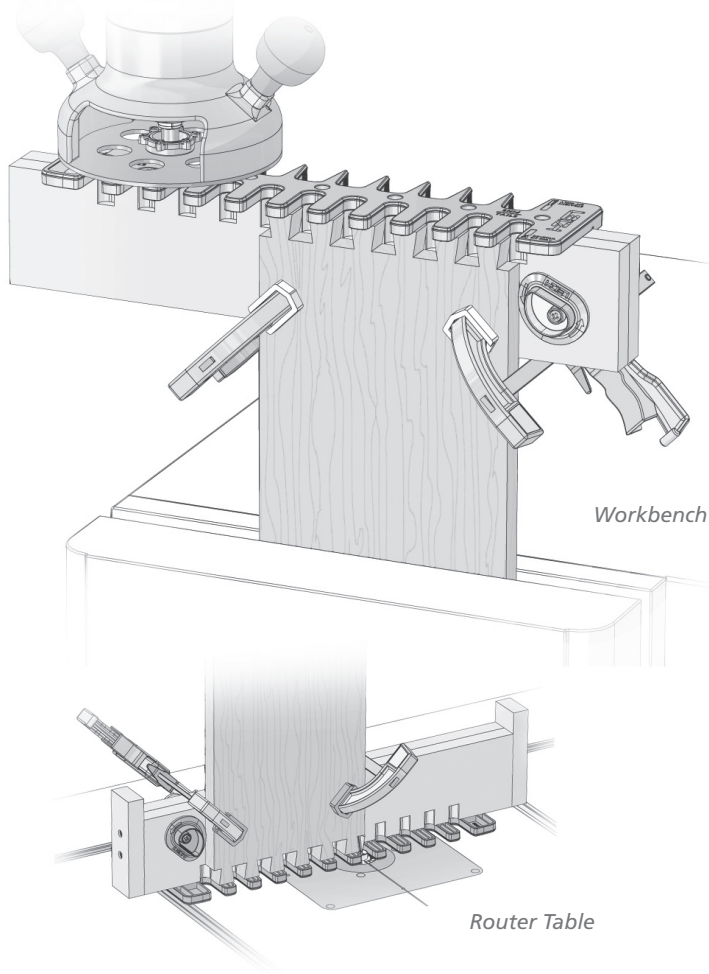


Leigh Through Dovetail Jig

Model TD330

User Guide

For Workbench or Router Table Use



See page 81 for customer support

800-663-8932

www.leightools.com

LEIGH

Leigh Router Joinery Jigs

Watch the Online Instructional Videos
in the Support Section at leightools.com



Contents

Chapter 1	Introduction	5
	What's Included	5
	Jig Diagram	6
	Units of Measure	7
	Bit Specifications	7
	Clamping	8
	Marking the Boards	8
Chapter 2	Safety	9
Chapter 3	The Leigh eBush	13
Chapter 4	Mounting & Assembly	19
Chapter 5	Routing Through Dovetails (Handheld Router)	31
	Clamping Narrow Boards	53
Chapter 6	Router Table Operation (Routing Through Dovetails)	57
	Clamping Narrow Boards	78
Chapter 7	Guide Bushing Adaptor Selection	79
Chapter 8	Customer Support	81

Instructional Videos Available at leightools.com

Click on the Support tab and go to the Instructional Videos and User Guide page.

Your New Leigh Through Dovetail Jig, Model TD330

The Leigh Through Dovetail Jig, Model TD330, is a simple, easy to use tool for making through dovetails on boards up to 13/16" [21mm] thick, and from 1-1/4" [32mm] to 12-7/8" [327mm] wide.

Customer Support

If you have any questions that are not answered in this user guide, please call Leigh Customer Support: 1-800-663-8932 in North America or email: help@leightools.com. For support contacts in your country of purchase, see Customer Support at the end of this Guide.

Reminder: If at first you don't succeed, read the instructions!

Register your Leigh TD330

Here's Why!

- Be the first to learn new ways to use your jig
- Learn about updates to your jig
- Save \$\$ with Special Offers
- Find out about new product launches
- Industry leading 5 year warranty

Register Now – It's Easy



Go to leightools.com
Click on Support
Click on Register your Product Online

PRIVACY POLICY

Leigh will NEVER rent, sell or distribute your information.

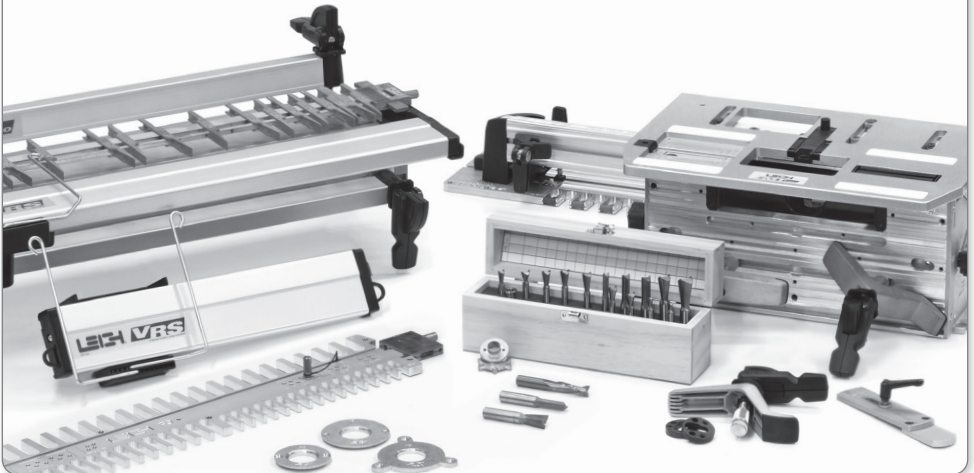
5 Year Warranty

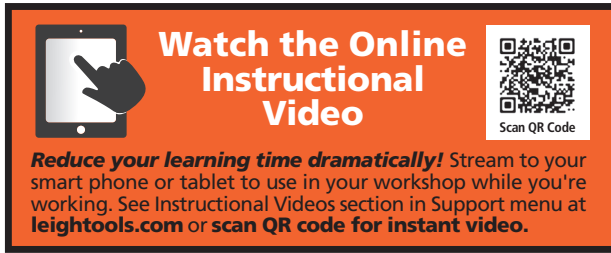
Leigh stands behind its products with a 5 year limited warranty, the best in the business. See the complete warranty in Chapter 8, Customer Support.



Satisfaction Guarantee

Products purchased directly from Leigh carry a 90-day Customer Satisfaction Guarantee. Those purchased from an authorized Leigh dealer may also carry a Customer Satisfaction Guarantee; see your Leigh dealer for details. Proof of purchase is required.





Watch the Online Instructional Video

Reduce your learning time dramatically! Stream to your smart phone or tablet to use in your workshop while you're working. See Instructional Videos section in Support menu at leightools.com or scan QR code for instant video.

Scan QR Code

Watching the online video in addition to reading this user guide will reduce your learning time dramatically. The video can be streamed to your smart phone or tablet and used in your shop as a visual reference. Visit leightools.com and find the video in the Support section.

Watch these Videos Online



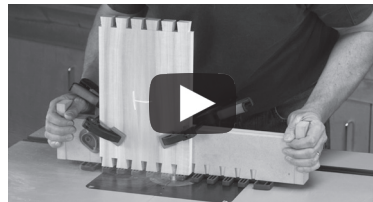
Overview Video



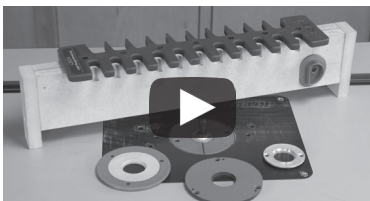
How to Rout Through Dovetails on the TD330 Video



Router Requirements Video



Router Table Operation Video



Router Table Requirements Video