

RTJ400 OPERATION

CHAPTER 3

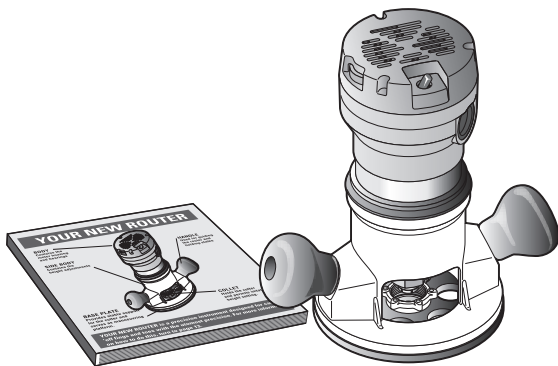
Using Your Jig Safely

Watch the Online Instructional Video

The online video will reduce your learning time dramatically! Stream to your smart phone or tablet to use in your shop as a visual reference. Find the video in the Instructional Videos section of the Support menu.

**Safety is not optional.**

Read and follow the recommendations in this chapter.



3-1 Read the owner's user guide that came with your router, router table or router lift. It is essential to understand all manufacturer's instructions completely.

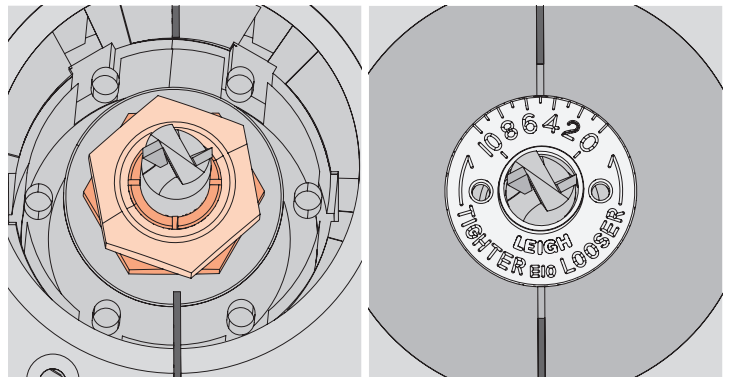


3-2 Always wear:

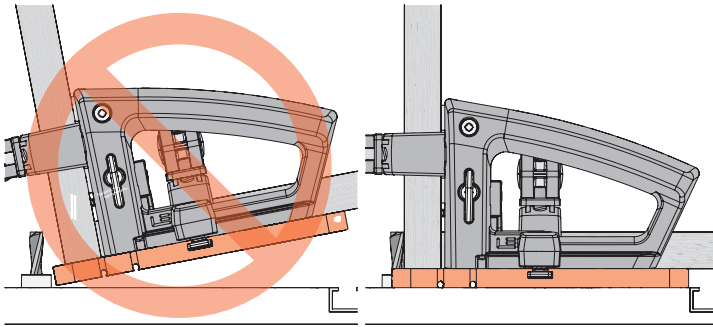
- approved safety glasses;
- a face mask to protect yourself from harmful dust;
- hearing protection.



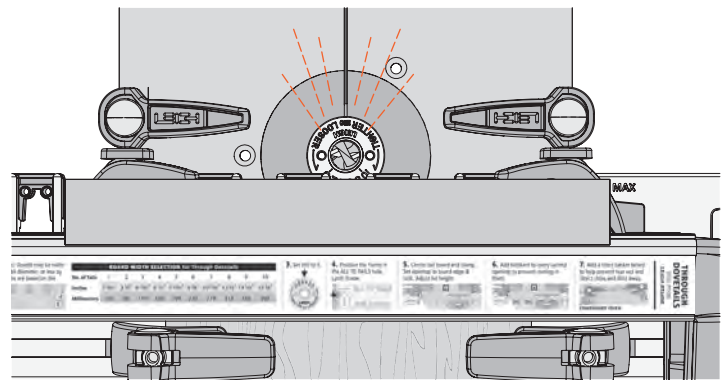
3-3  **Never drink alcohol or take medications that can cause drowsiness while operating a router.**



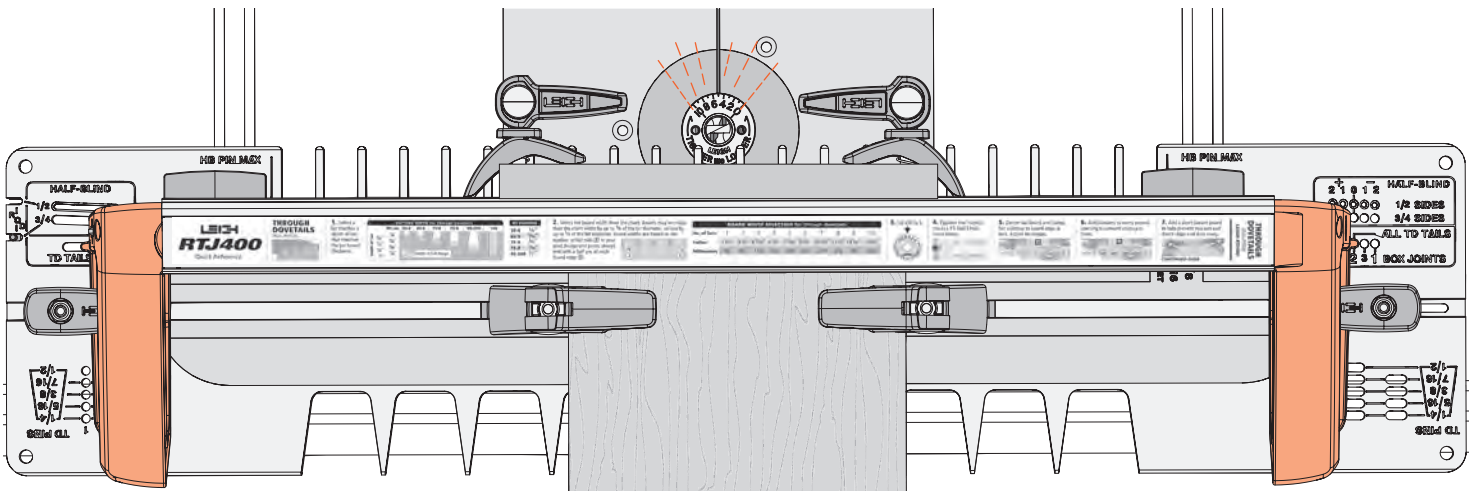
3-4 Always disconnect the power source and be sure the router has stopped turning before fitting bits, guide bushings or making adjustments. Before reconnecting the router to the power source, make sure the bit and collet revolve freely with and without the guide bushing in place.



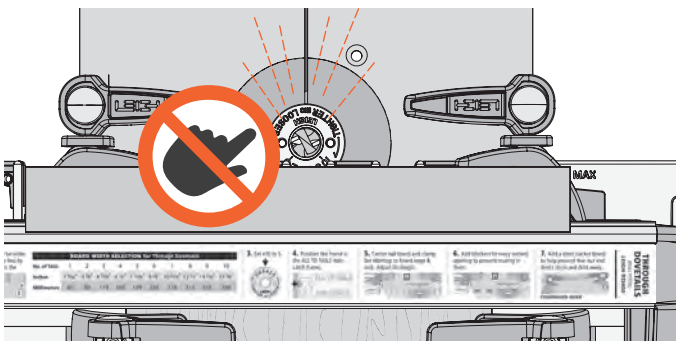
3-5 Do not tilt the jig. Keep the template flat on the router table at all times.




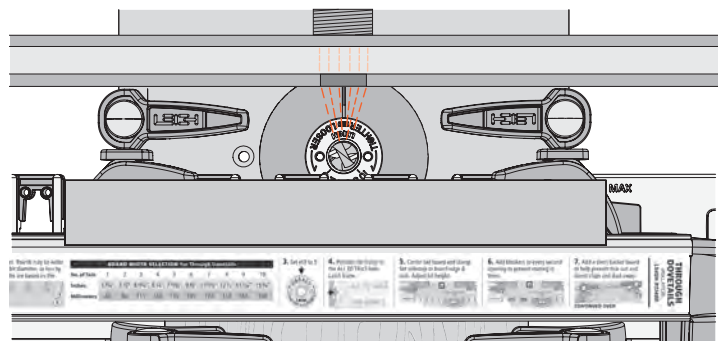
3-6 Chips and sawdust are thrown out at high speed. Always stand and use the RTJ400 from behind the router bit, opposite to chip and sawdust ejection.



3-7  Always control the jig with the handles (featured in red) for best routing results, and for safety as shown in next step.



3-8  Using the jig with the handles will ensure your fingers are always safely away from the router bit.



3-9 Whenever possible, use the router table fence, dust port and a shop vacuum for maximum dust and chip collection. ■