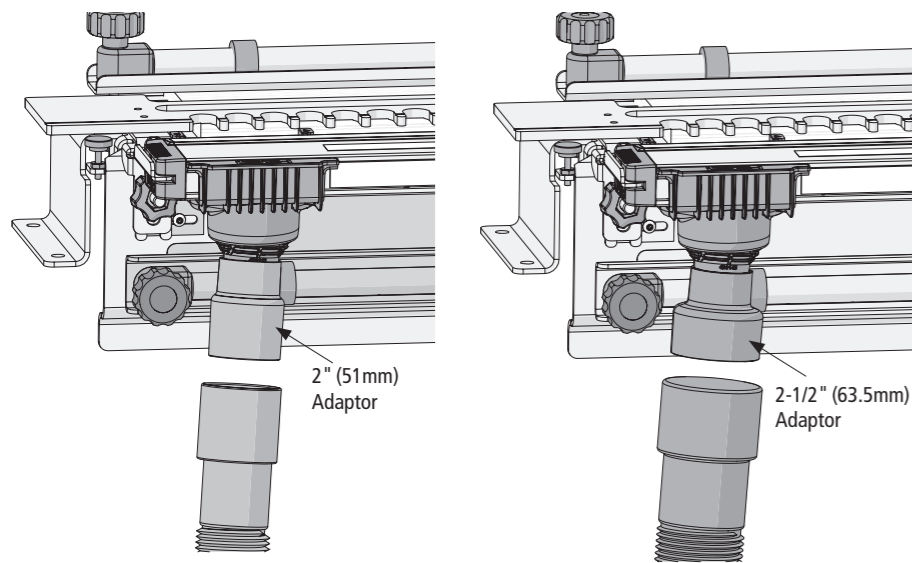
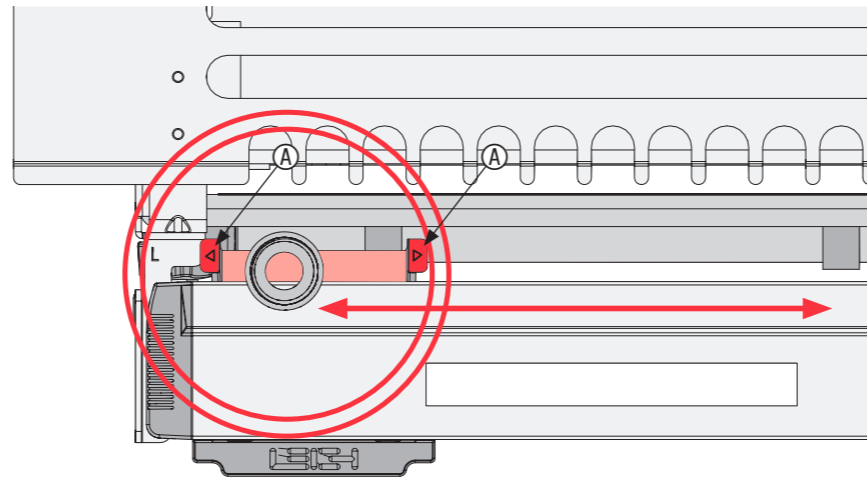


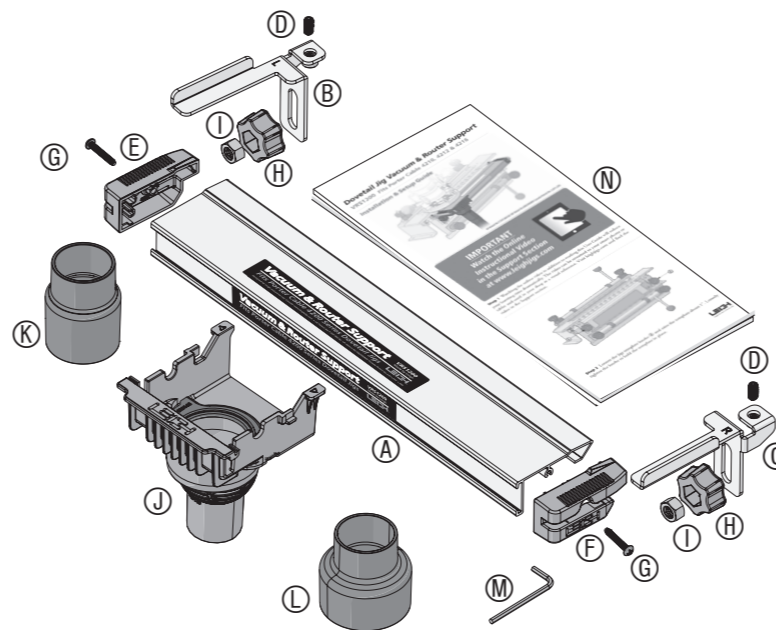
Step 12 The swivel action vacuum port accepts a 1½" (38mm) diameter hose. Attach your shop vacuum hose to the dust collection port on the vacuum box assembly.



Step 13 Two hose adaptors, 2" (51mm) and 2½" (63.5mm), are included with the VRS1200.



Step 15 As the router moves across the beam, in and around the fingers, the guide bushing attached to the router base contacts the vacuum box tabs (A) and moves it across the beam. The vacuum box is always positioned for maximum dust collection.



PART DESCRIPTION	PART NO.	QUANTITY
(A) VRS1200 Beam Extrusion with Decals	426105	1
(B) Left Support Bracket	426175	1
(C) Right Support Bracket	426180	1
(D) Support Bracket Set Screw 1/4" - 20 x 1/2"	426185	2
(E) Left End Cap with Spring	426220	1
(F) Right End Cap with Spring	426225	1
(G) End Housing Screw No.8 - 32 x 1"	426190	2
(H) Support Bracket Knob	426207	2
(I) Support Bracket Nut 3/8" - 16	426208	2
(J) Vacuum Box Assembly	426230	1
(K) 2" (51mm) Vacuum Box Hose Adaptor	426150	1
(L) 2-1/2" (63.5mm) Vacuum Box Hose Adaptor	426155	1
(M) Hex Key	426216	1
(N) Fully Illustrated Setup guide	426240	1

See Online Installation & Setup Video at www.leighjigs.com

Customer Support

1-800-663-8932 help@leighjigs.com

For a list of Leigh dealers, visit www.leighjigs.com



© 2018 Leigh Industries Ltd. All rights reserved. No part of this publication may be reproduced, stored in a retrieval system, or transmitted in any form or by any means, electronic, mechanical, recording, or otherwise, without the prior written permission of Leigh Industries Ltd. Leigh Industries Ltd. is not an authorized dealer, distributor or service provider or otherwise affiliated or associated with Porter Cable. 10/2018

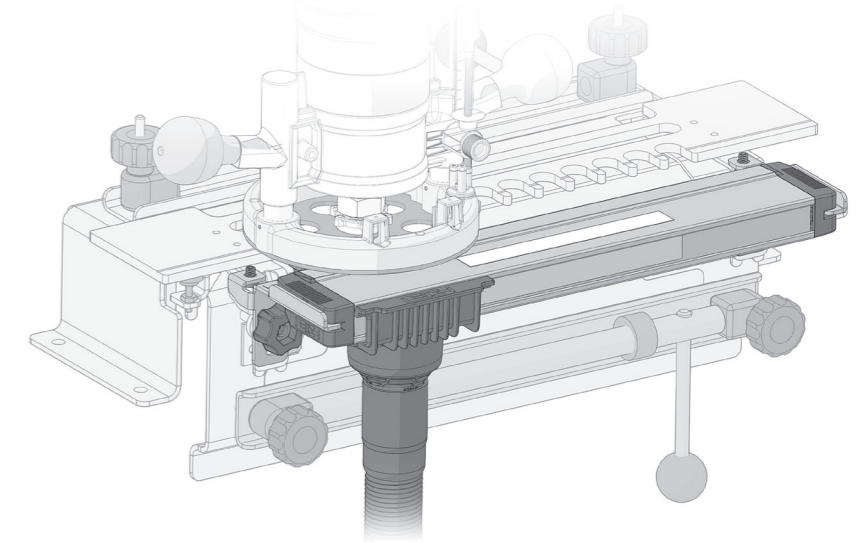


Printed in China

Dovetail Jig Vacuum & Router Support

VRS1200 Fits Porter Cable 4210, 4212 & 4216

Installation & Setup Guide

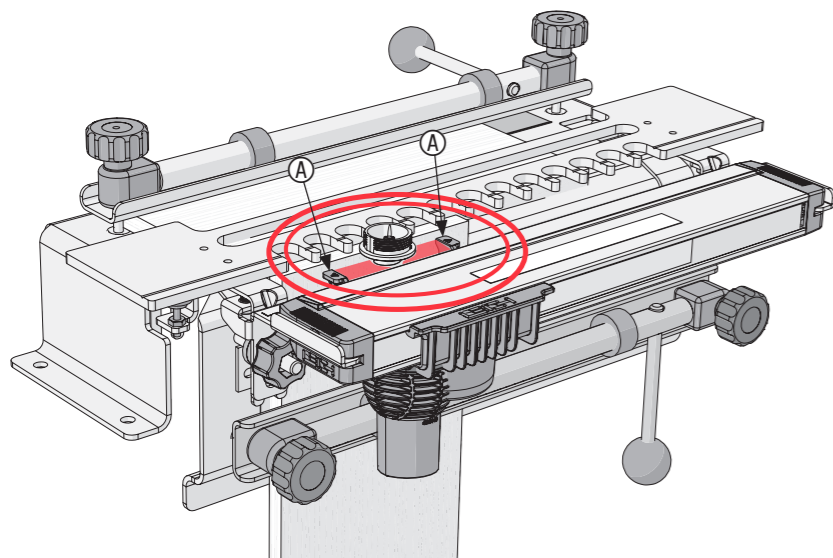


US Patent No.7,507,060 B2 UK Patent No.GB2446909 Canada Patent No. 2,611,233

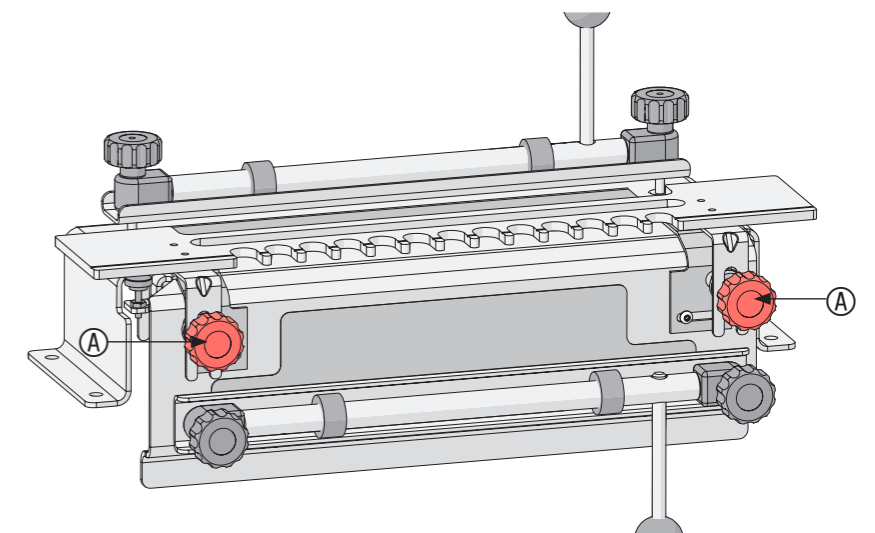
IMPORTANT
Watch the Online
Instructional Video
in the Support Section
at www.leighjigs.com



Step 1 Watching the online video in addition to reading this user guide will reduce your learning time dramatically. The video can be streamed to your smart phone or tablet and used in your shop as a visual reference. Visit leighjigs.com and find the video in the Support section.

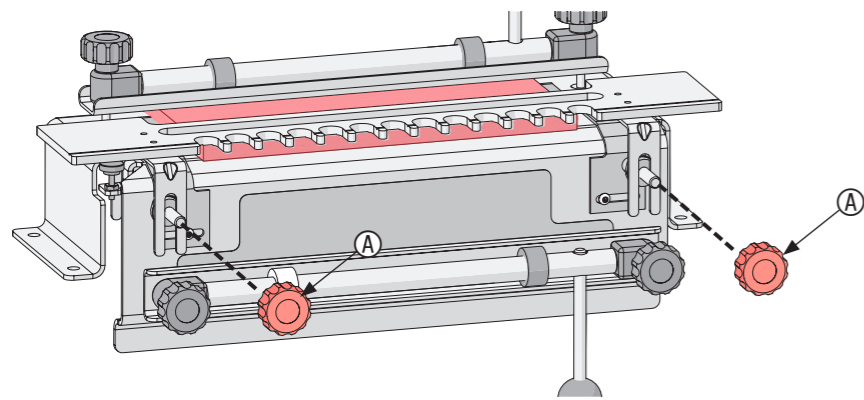


Step 14 When routing, the VRS1200 beam should be moved closer to the workpiece for maximum chip collection. The tabs (A) on either side of the vacuum box should be close to, but not touching the workpiece. The guide bushing mounted to the router base is positioned between the tabs of the dust collector.

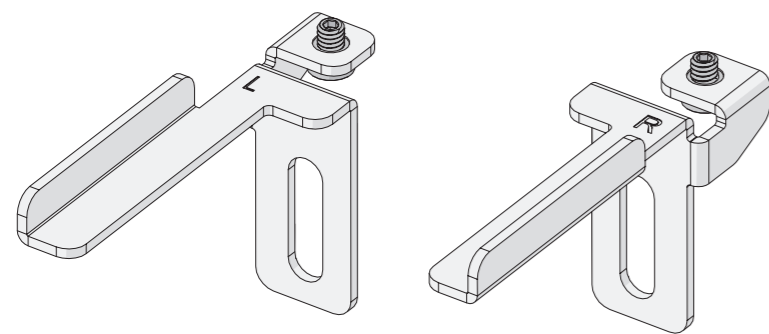


Step 2 To do the **one-time setup**, start by loosening the jigs template knobs (A) and raise the template about 1". Loosely tighten the knobs to hold the template in place.

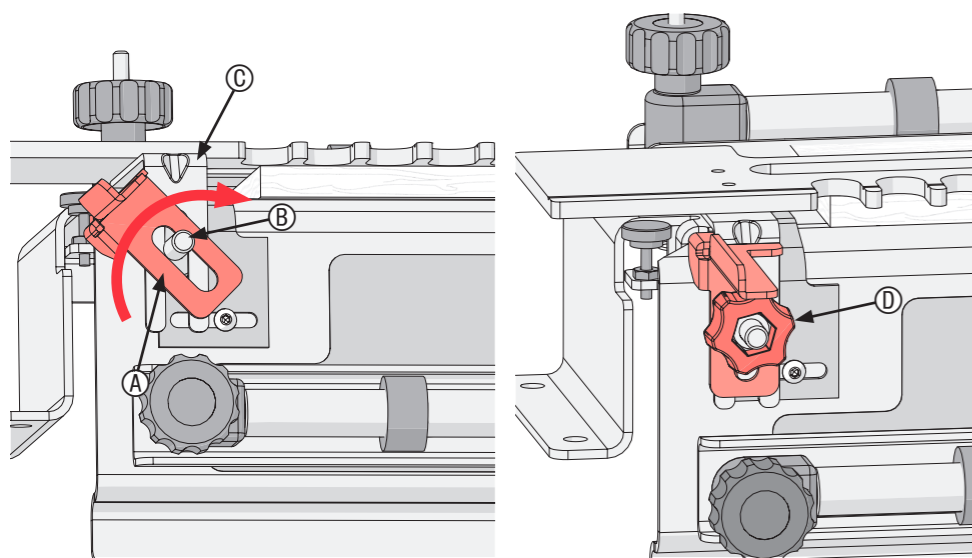




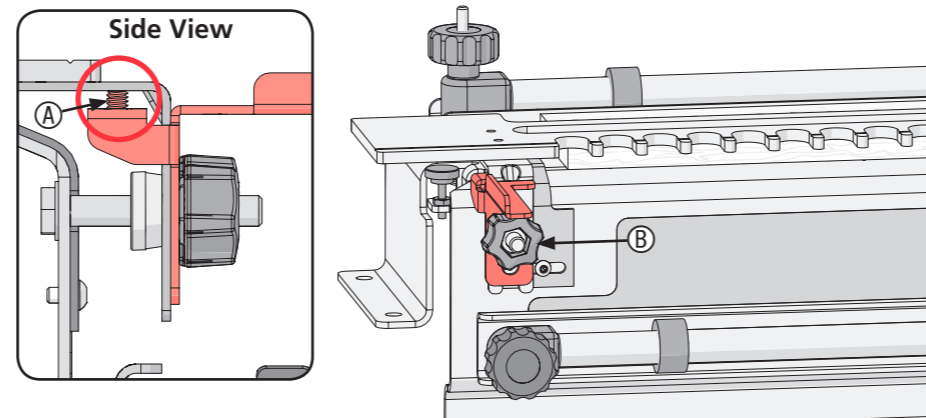
Step 3 Place a flat board approximately 10" x 6" x 3/4" (254mm x 152mm x 19mm) thick, under the rear clamp and template and secure in place with the rear clamp. The board will hold the template flat during installation and setup. **Remove** the Porter Cable template knobs **A** and lower the template flat onto the board. Store the knobs in a safe place; they are not needed with the VRS1200.



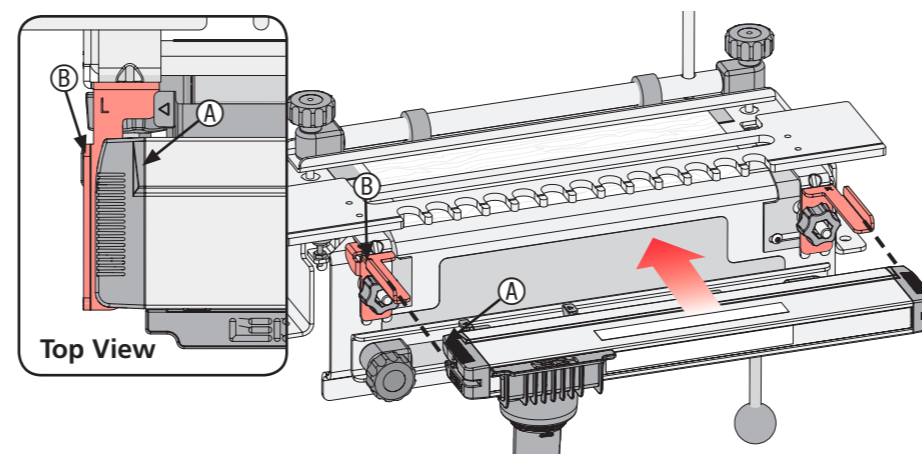
Step 4 The Leigh VRS1200 Support Brackets are marked with an L (left side) and an R (right side).



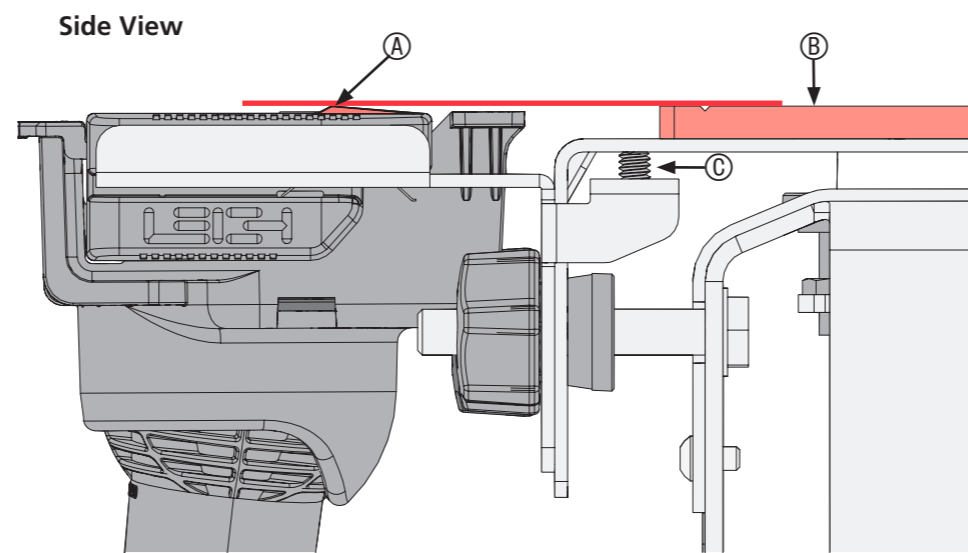
Step 5 Hold the VRS1200 left bracket **A** outwards at about a 45° angle and slide it over the template bolt **B** until it contacts the template bracket **C**. Turn the left bracket clockwise until it's in the vertical position, and loosely thread on an included VRS1200 knob **D**.



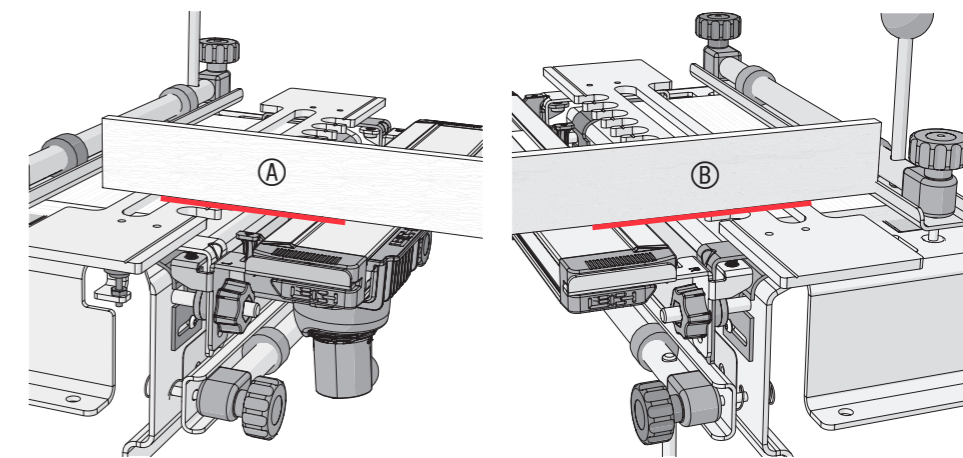
Step 6 Raise the support bracket until the height adjusting screw **A** touches the bottom of the template bracket. Tighten the template knob **B**. Repeat Steps 5 and 6 at the right end of the jig.



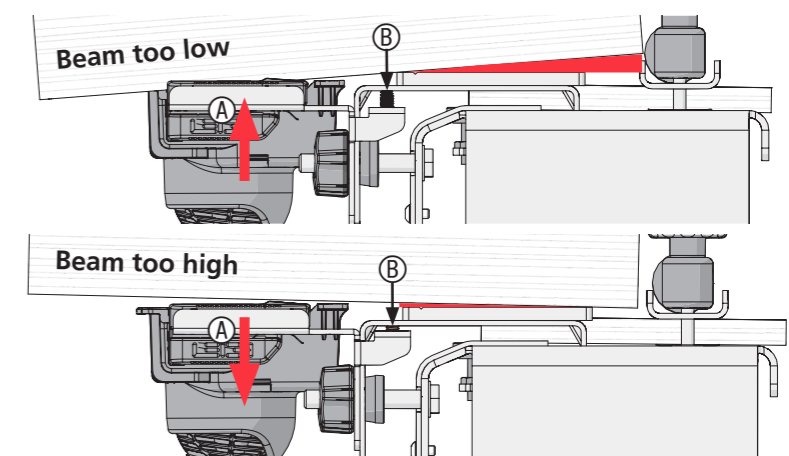
Step 7 Under light pressure, slide the VRS1200 beam onto the support brackets until the end cap of the beam **A** is even with the vertical portion of the bracket **B**. The beam is held securely on the support brackets with an internal tension spring. This beam position is used for the rest of the setup.



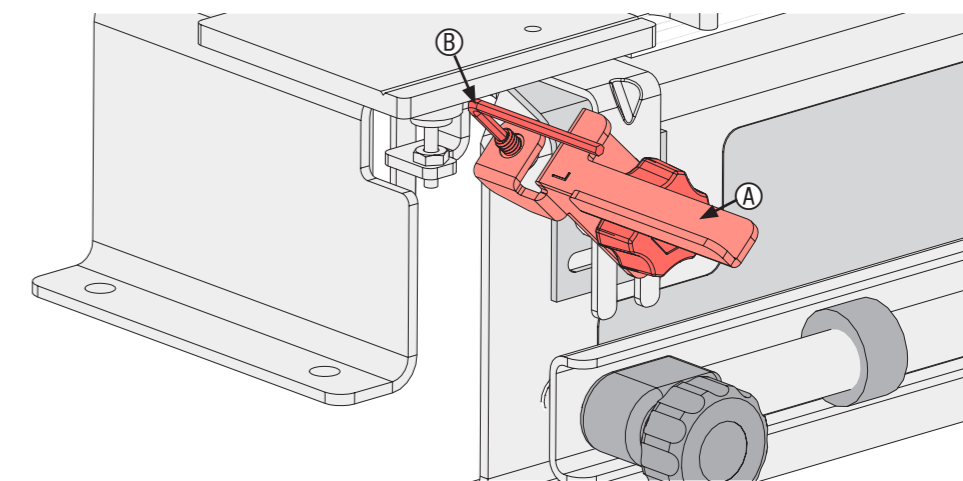
Step 8 The high point on the VRS1200 beam **A** must be level with the template **B**. The support bracket set screws **C** are used to adjust the beam height.



Step 9 The VRS1200 support brackets will be adjusted separately. Starting on the left-hand side of the jig, place a straight board **A**, or other straight edge across the template and beam to determine whether the beam needs to be lowered or raised. Then check the right-hand side **B**.



Step 10 If the VRS1200 beam is **lower than the template**, the straight edge will not sit flat, as shown in the top drawing (exaggerated for clarity), and the beam must be raised **A** using the set screw **B** on each VRS1200 support bracket. If the VRS1200 beam is **higher than the template**, as shown in the bottom drawing, the beam must be lowered **A** using the set screw **B** on each VRS1200 support bracket. **See next step for adjustment procedure.**



Step 11 To adjust the set screws, first remove the beam from the support brackets. Loosen the left knob slightly and turn the support bracket **A** outwards. Using the provided hex key **B**, turn the set screw **clockwise to raise** the beam, and **counter clockwise to lower** the beam, as required. Next, adjust the right support bracket. Place the beam back on the support brackets and check the height with the straight edge (see Step 9). If necessary, repeat this one-time process until the template and the ridge on the beam are at the same height.