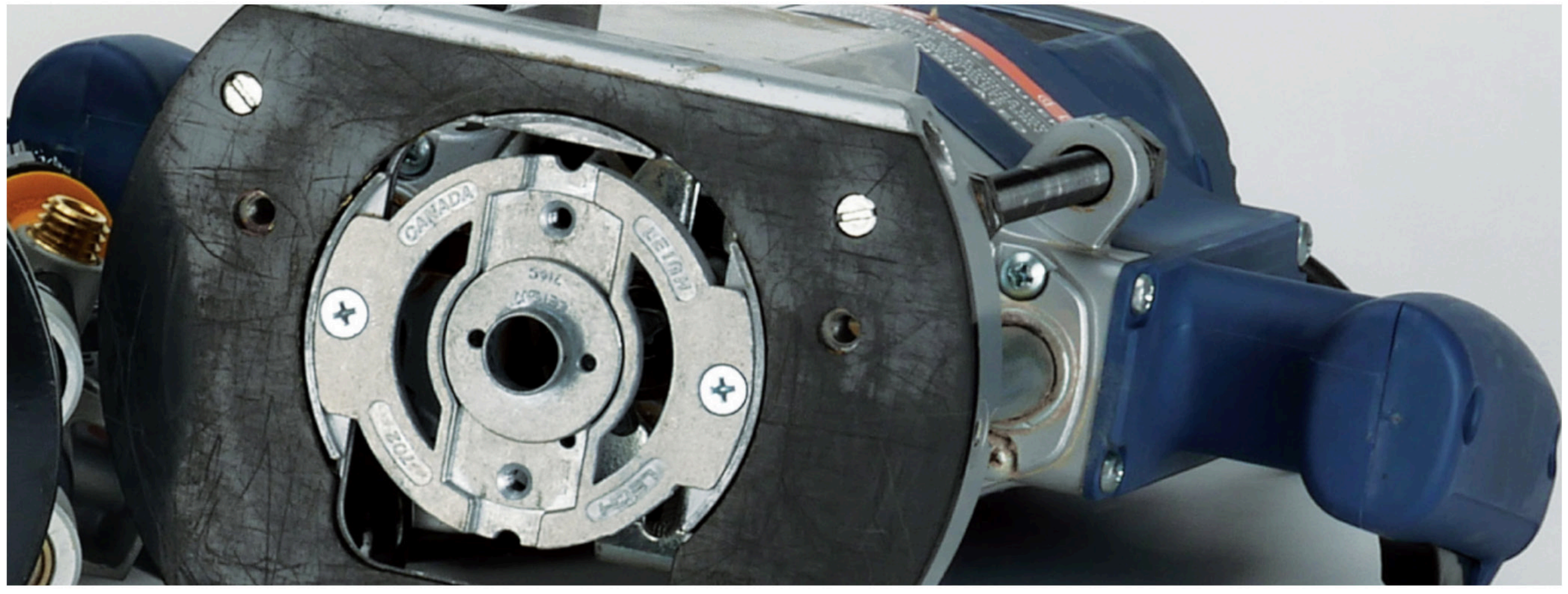


# Guide Bushings & Adaptors for your Router

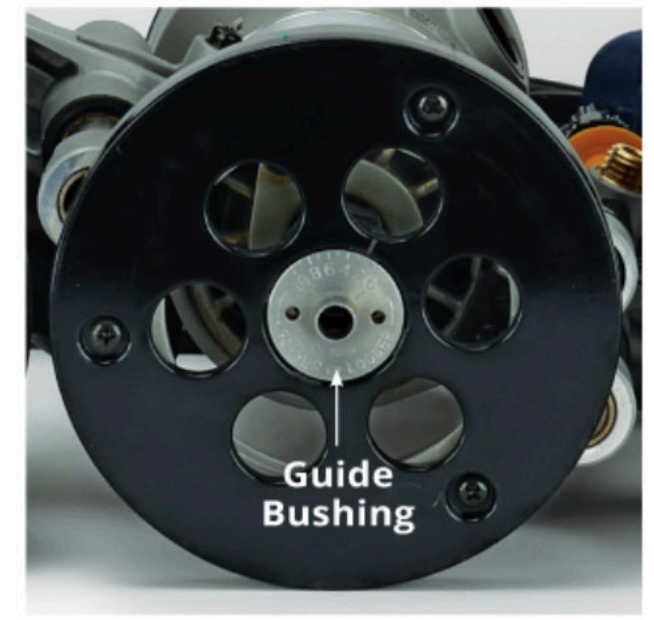
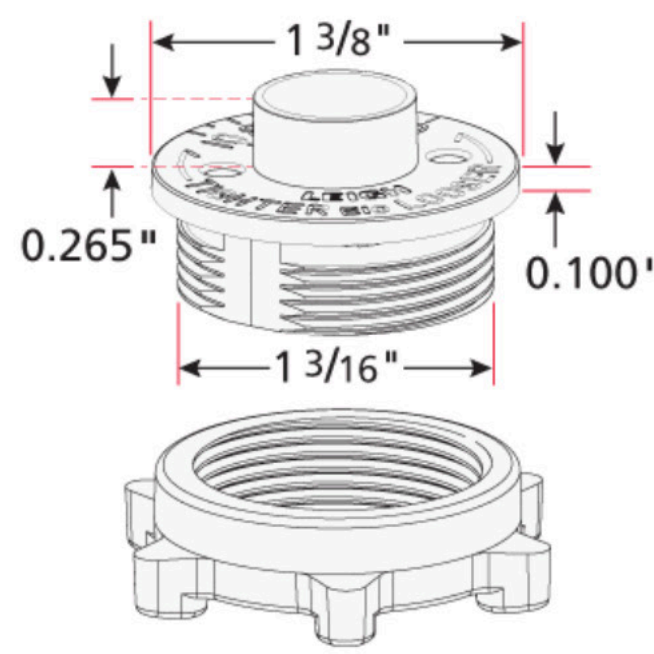


All Leigh Dovetail & Box Joint Jigs require a router with a 1/2" collet, fitted with a Leigh guide bushing. Your router may need a guide bushing adaptor. Click on the selector below to determine your router adaptor requirements.

## Guide Bushing Adaptor Selector

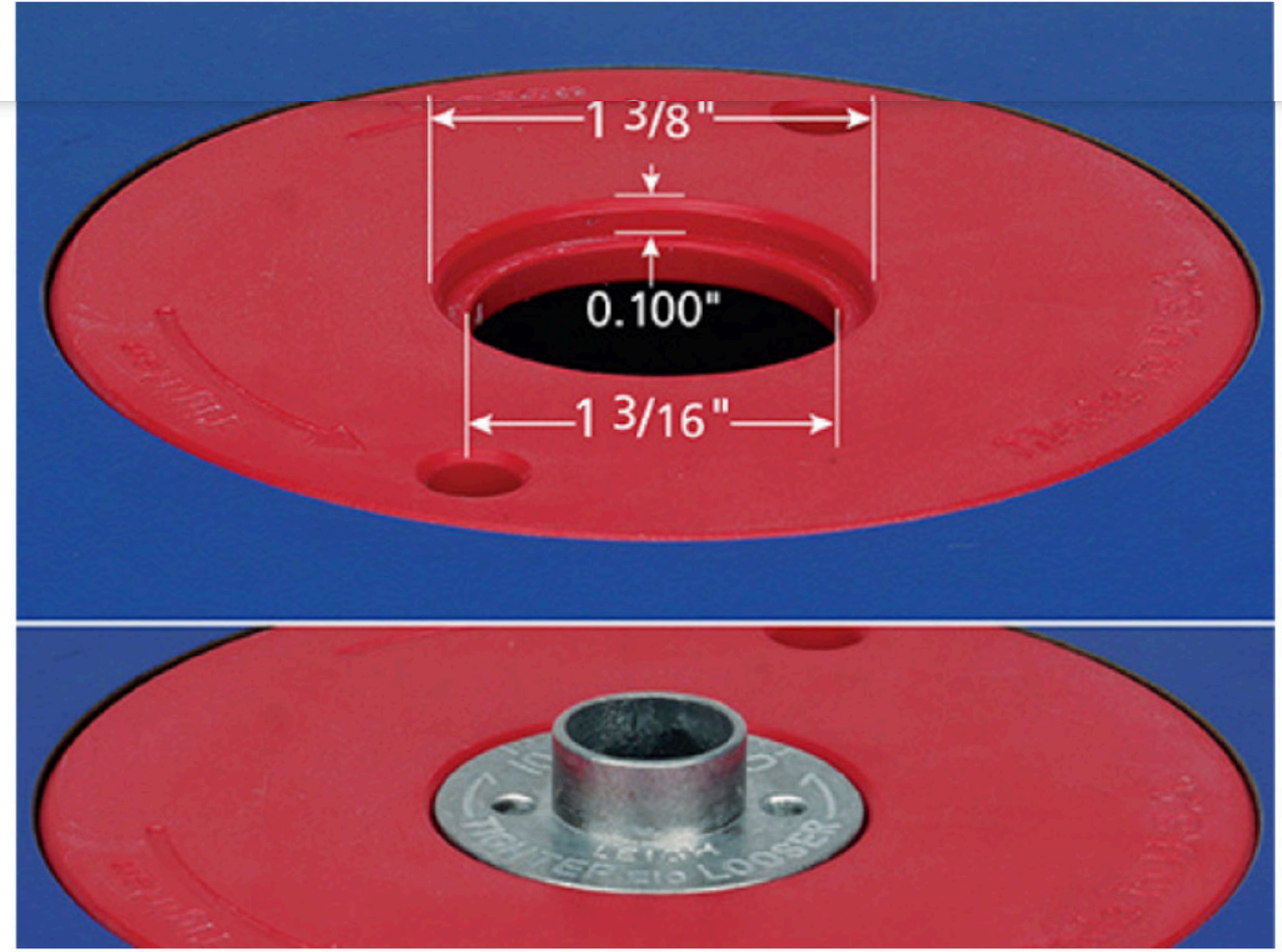
### Leigh Guide Bushings

Leigh guide bushings are designed around the industry standard — a threaded bushing and nut having the dimensions shown. Some routers accept these bushings directly or come with an adaptor. For those that don't, Leigh offers several adaptors shown in the Guide Bushing Adaptors chart below.

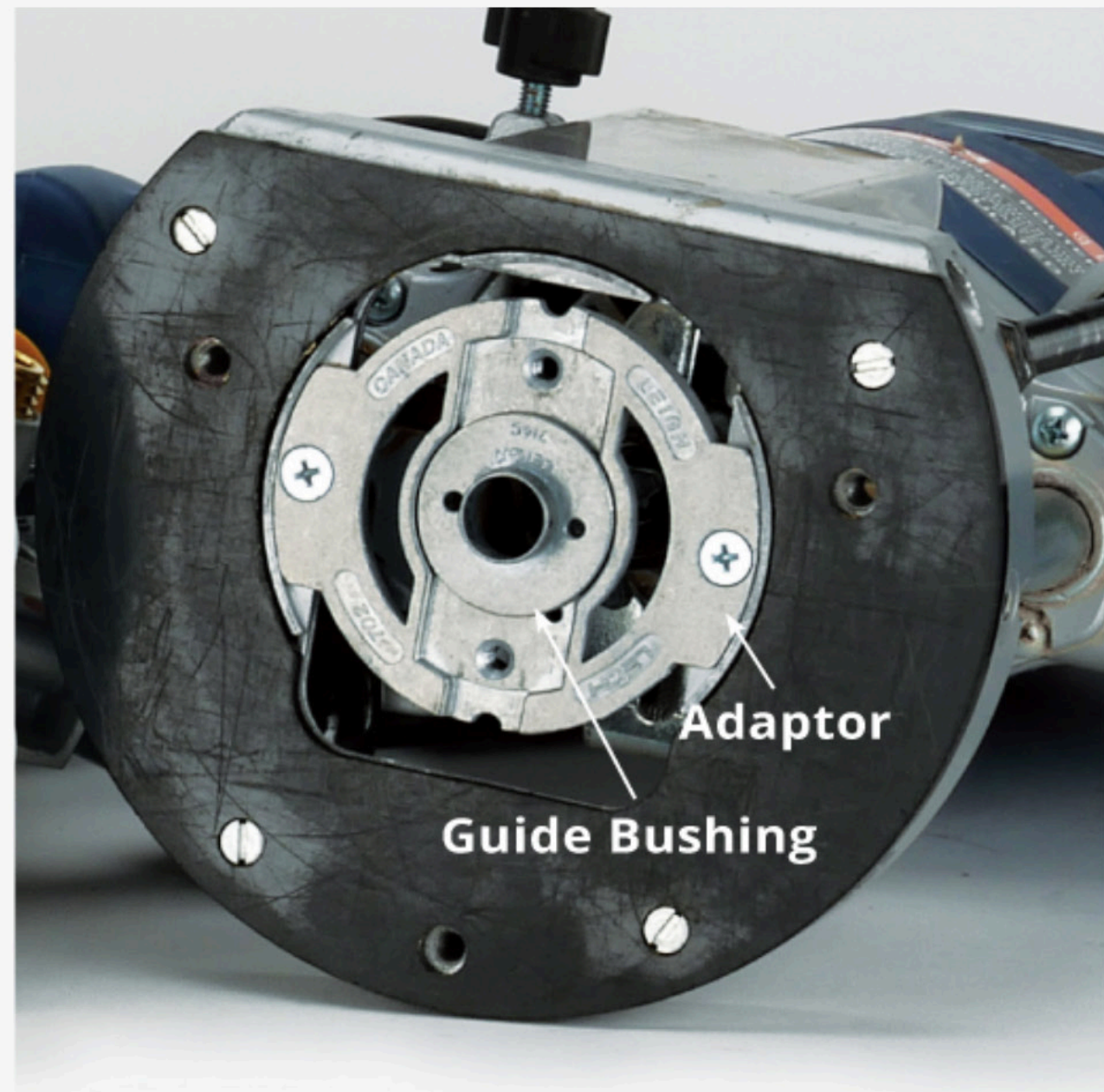


**To determine if your guide bushing fits directly to your router, measure the opening in the bottom of your router.**

The widest part, or counter bore, of the opening must be 1-3/8" and the inner hole must be 1-3/16". If the opening matches these dimensions, you do not need an adaptor. For all other opening sizes, refer to the guide bushing adaptor selector.

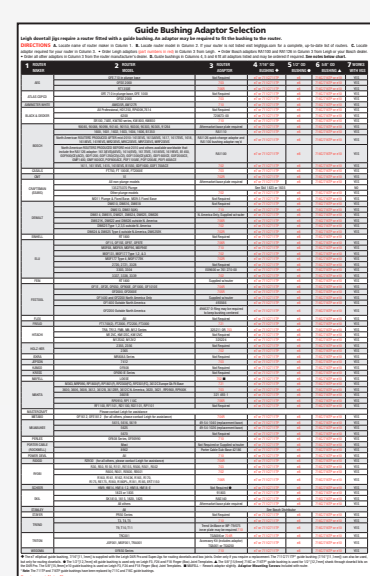


### Guide Bushing Adaptors for your Router



**Because the router industry isn't standardized, you may need an adaptor to fit your Leigh guide bushing to your router.** Leigh offers several adaptors as shown. To determine the correct adaptor for your router, use the Guide Bushing Adaptor Selector in the next section.

To see a full list of routers and guide bushing adaptors [click on this chart.](#)



### Guide Bushing Adaptors

All six Leigh guide bushings fit all eight Leigh adaptors and Bosch RA1129 adaptor set

Use this Selector to determine your router adaptor requirements.

## Guide Bushing Adaptor Selector



Select your Router Brand and Model:

Select Router Brand:

SEARCH

RESET

If your router isn't listed, [click here](#) for customer service.