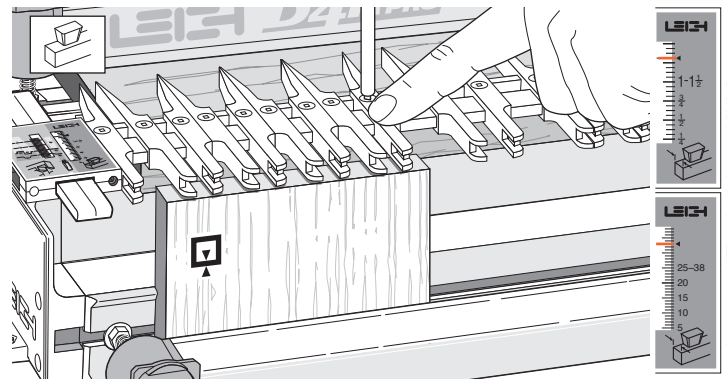
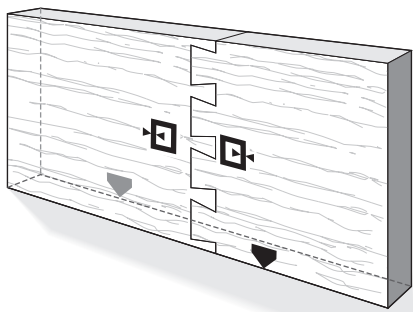


End-On-End Dovetails

While you have the router set up for half-blind dovetails, it is a good time to try end-on-end dovetails.

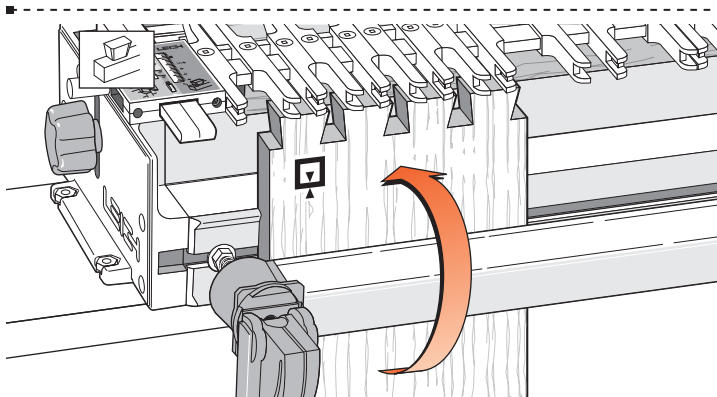
⚠ If you have not yet routed half-blind dovetails or read through chapter 11, please do so now before attempting end-on-end dovetails.



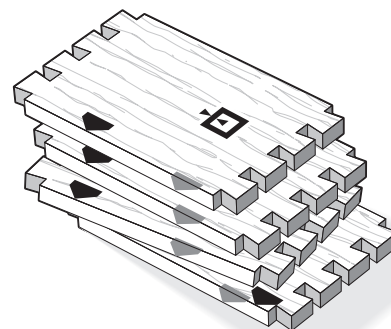
13-1 End-on-end dovetails are made in the same modes as half-blind joints, but both boards are routed vertically in the front clamp, alternately face side in and then face side out. Boards for end-on-end joints may be up to 3/4" [20mm] thick.

⚠ Use only the guidebush, dovetail bits and depths of cut as specified in Chapter 10 or Appendix II.

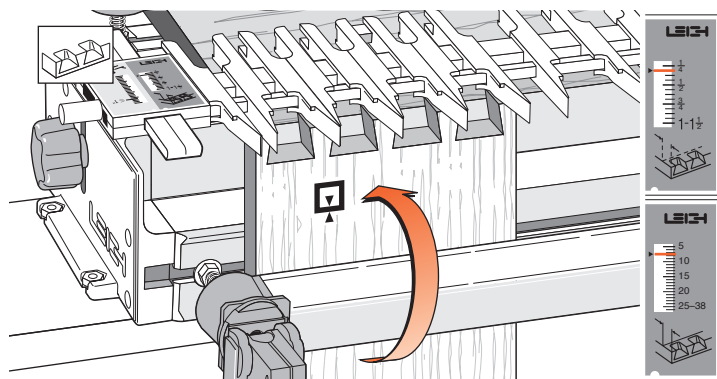
13-2 The end-on-end dovetail is laid out in the HB TAILS mode. There is a special mark on the scale for end-on-end dovetails. Align the support bracket line with the small arrow as shown. Adjust the guidefingers as required.




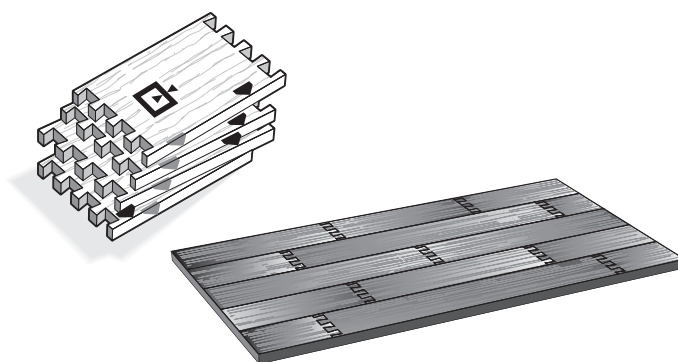
13-3 Rout the tails. Clamp end-on-end dovetail boards in the jig for routing one end face side in and one end face side out. Keep the same edge against the side stop for both ends.



13-4 Rout the tails on each end of the tail boards.



13-5 Rotate the finger assembly to  HB PINS mode and again set it on the small scale arrow for maximum pin board thickness ($\frac{3}{4}$ " [20mm]). There is no theoretical minimum thickness, but avoid thin board tearout, see 17-11. Rout pins on each end of pin boards, same edge against the sidestop for both ends. Narrow pins are illustrated (look like narrow tails), but guidefingers can easily adjust for even-sized tails and pins.



13-6 Always assemble end-on-end joints keeping the edges of the boards that were against the side stop all in line.

Applications for End-on-End Dovetails

As one example, you can make a flat, stable, and attractive chest lid by edge-jointing and gluing end-on-end dovetailed boards. ■