

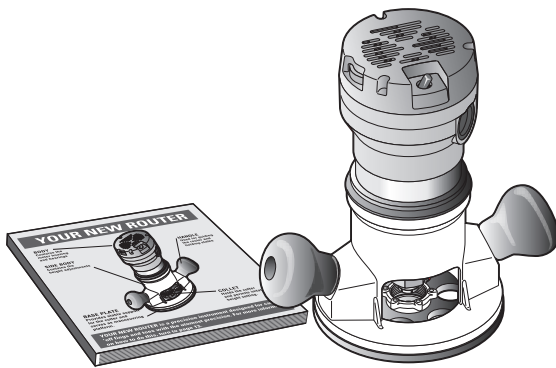
RTJ400 OPERATION

CHAPTER 3

Using Your Jig Safely

Safety is not optional.

Read and follow the recommendations in this chapter.



3-1 Read the owner's user guide that came with your router and router table. It is essential to understand all manufacturer's instructions completely.

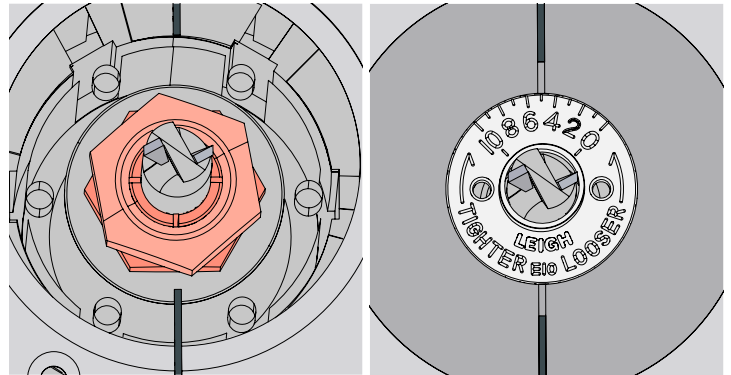


3-2 Always wear:

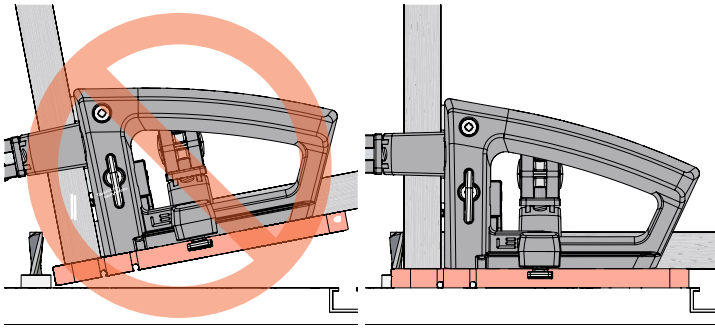
- approved safety glasses;
- a face mask to protect yourself from harmful dust;
- hearing protection.



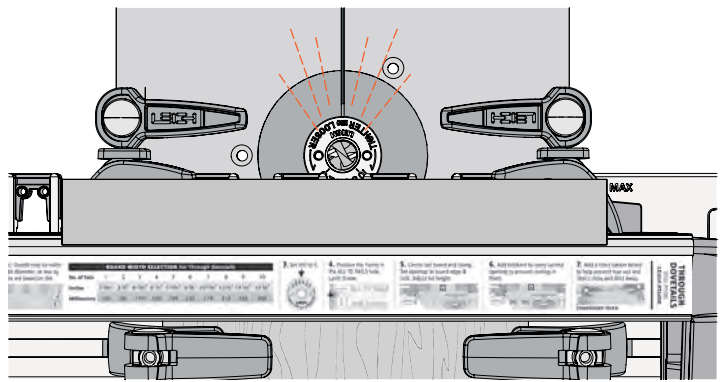
3-3  Never drink alcohol or take medications that can cause drowsiness while operating a router.



3-4 Always disconnect the power source and be sure the router has stopped turning before fitting bits, guide bushings or making adjustments. Before reconnecting the router to the power source, make sure the bit and collet revolve freely with and without the guide bushing in place.



3-5 Do not tilt the jig. Keep the template flat on the router table at all times.



3-6 Chips and sawdust are thrown out at high speed. Always stand and use the RTJ400 from behind the router bit, opposite to chip and sawdust ejection. ■