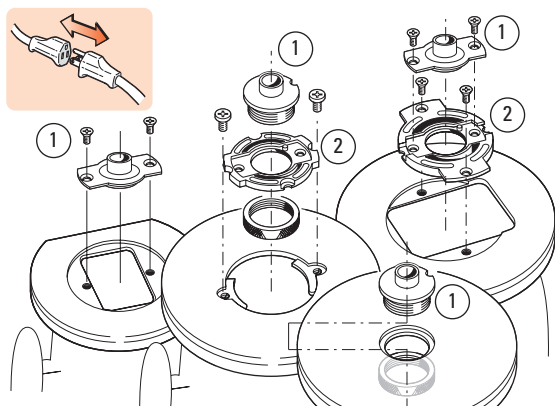


How Routers with Guidebushes Work

The Guidebush is the vital link between router and jig. Here's how it works.

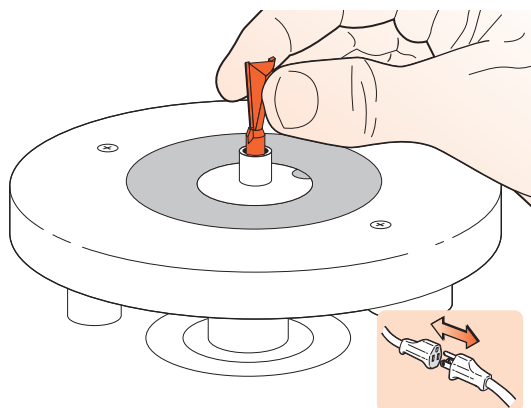


**3-1**

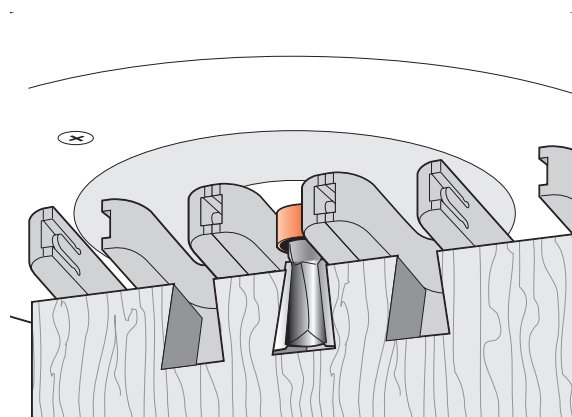
The guidebush ① attaches to the base of the router and is fixed. It does not rotate. Your router may also require a guidebush adaptor ②.



Only one size of guidebush is used with the Leigh D1600 Jig: $\frac{7}{16}$ " [11,1mm] OD (outside diameter). See page 102 "Guidebush Selection".

**3-2**

The cutter or bit goes through the guidebush and fits in the router collet or chuck.

**3-3**

The projecting part of the guidebush runs along the side edge of a guide. The rotating cutter cuts the wood only, and touches neither the guidebush nor the guide surface. ■